

Owner's Manual
And
Assembly Instructions



The Bellevue

Model 1-APO12



Adventure Playsets

Amarillo Texas 79119

Thank you for purchasing an Adventure Playsets Playcenter.

We hope it will bring you and your children many years of safe and enjoyable backyard fun.

Table of Contents

Letter to Customer	1
Positioning Your Playcenter	2
Tools Required for Assembly	2
Helpful Installation Hints	3
Suggested Playground Surfacing	4
Operating Instructions	5
Maintenance Instructions	6
Disposal Instructions	6
CPSC Information Sheet	7
Assembly Instructions	8
Frequently Asked Questions	35
Customer Notes	36
Limited Warranty	37
Warranty Claim Procedure	38
Customer Registration Card	39

Your owner's manual should be read carefully before starting assembly.

Dear Customer:

Thank you for purchasing an Adventure Playsets Playcenter. We hope it will bring you and your children many years of safe and enjoyable backyard fun. Adventure Playsets equipment is recommended for use by **children 3 to 10 years of age**. Adventure Playsets structures are **not intended for public use**. Adventure Playsets **does not warranty** any of its residential structures subjected to commercial use.

Please follow all recommendations below. **Failure to do so may result in the warranty being void and/or safety violations that could result in serious injury.** The following information has been provided to help you in your installation, continued satisfaction, and safe operation of your Adventure Playsets purchase. Always keep the safety of your children in mind as your play structure is being built and as your children play on the set. **Children must not use the Playcenter until completely assembled and properly installed and anchored to prevent serious injury.** Before your children play on the set please review the Operation Instructions with them to help ensure their safety.

PLEASE RETAIN THESE INSTRUCTIONS FOR FUTURE REFERENCE. KEEP THEM IN A SAFE PLACE WHERE YOU CAN REFER TO THEM AS NEEDED.

General Information:

<u>Manufacturer</u> Adventure Playsets	<u>Vendor:</u> _____
14201 Interstate 27	_____
Amarillo, TX 79119	_____
Ph. #: 1-800-856-4445	_____
Fax: 806-622-1515	_____
E-mail -custservice@adventureplaysets.com	

Unit Type:

Unit Name: The Bellevue Revision Date: 09-21-04
Unit Model Number: 1-APO12
Instruction Manual Information

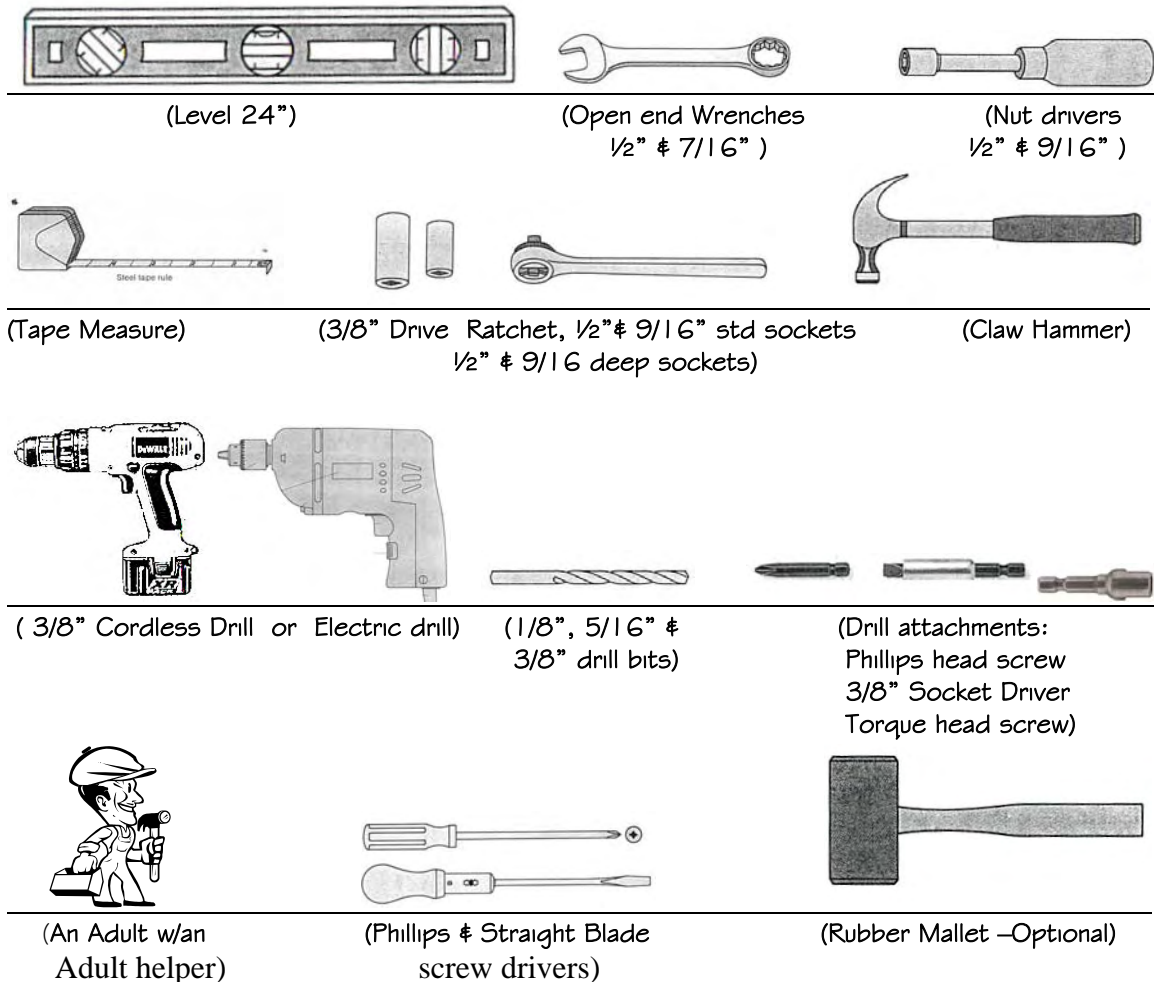
Maximum Fall Height: 8'-4"

The instructions and owner's manual for your new Playcenter should be read in its entirety before assembly, to minimize problems and safety issues. We recommend reading the owner's manual thoroughly after you have identified all of the parts for your Playcenter as discussed in the Helpful Installations Hints section below.

Positioning Your Play center

1. The Playcenter is designed to be installed on a level surface **by an Adult with an Adult helper**. Try to place in a flat area of your yard to minimize ground preparation.
2. Place the equipment not less than 6 ft from any structure or obstruction such as a fence, garage, house, overhanging branches, laundry lines, or electrical wires.
3. It is a good idea to place your Playcenter in an area that is convenient for adults to watch children at play.
4. The area that you choose should be policed for glass, rocks or anything jagged or sharp that could endanger your children's safety. The surface underneath your play system can cause or prevent injuries. We have additional suggestions in the Suggested Playground Surfacing Section.
5. Do not build your playset on top of surfacing material.

Tools Required for Installation:



Helpful Installation Hints

1. Depending on your experience, assembly of this Play set should take approximately 6 to 12 hours after inventory of parts. Therefore, we recommend you set aside a full day for assembly.
2. Identify all of the parts for your Playcenter. Empty each box and lay out boards so you can see each part. Your instruction book will have detailed drawings that will make it easy for you to recognize individual parts. Keep all hardware and metal parts separate from wooden pieces.
3. After everything is laid out, check carefully to ensure all parts are present. Make sure there are no broken boards.
4. Find an area to sort your hardware. It is best to open the hardware on a solid surface so that you do not lose any pieces in the grass. This will save time and familiarize you with all the different pieces in the hardware bag.
5. Important note: Wood has some natural defects such as knots, surface cracks, etc... We reject parts that are structurally defective. We use a high quality lumber in our structures; however, you should inspect each part for splinters or rough spots and sand them smooth to prevent injury.
6. After steps 1 thru 4 have been completed, read all the way through the instructions completely. Reading instructions after you have studied the parts will help you understand more clearly the installation process, and help to eliminate unnecessary mistakes.
7. Pay close attention to the diameter and length of each bolt and screw. There will be different sizes in the same bag, so they must be sorted correctly.
8. Swing hangers should be buried past the threads, so that the loop is against the swing beam. Adventure Playsets is not responsible for incorrect installations of swing hangers. Failure to properly install swing hangers may cause severe injury.
9. Never tighten hardware completely at first. It helps to have some adjustment for bolt alignment while you are attaching parts together. After everything is square, tighten each joint.
10. After the main unit is assembled it is critical that the floor is level and square. If the main frame is not level, the walls and floor will be out of square.
11. After you complete installation, make sure every bolt, screw, and nut is tight, and every board is secure. Wood will expand and contract with the seasons. Check all bolt connections and swing hangers every two weeks.
12. Place the set on level ground, not less than 6ft from any structure or obstruction such as a fence, garage, house, overhanging branches, laundry lines, or electrical wires.

READ! VERY IMPORTANT!

If you are missing parts or have questions regarding the installation of our quality product PLEASE call us directly at the factory (1-800-856-4445). Our trained staff will be happy to assist you.

Customer service hours:
Monday thru Friday 9am to 5pm
Saturday 9am to 2pm
Central Standard Time.

E-mail: custservice@adventureplaysets.com

ATTENTION: UK CUSTOMERS

We thank you for purchasing our excellent quality play equipment. We are sure that you will be satisfied with your selection. However, should you experience any problems or require any advice, do not return the item to the store, please contact our European Customer Service Number below. To ensure a prompt and efficient handling of your query please have your assembly instructions ready when you call.



Tel: 08700 170580 or email us at info@plumproducts.com

Suggested Playground Surfacing

- ❑ Playground equipment should never be placed on hard surfaces such as concrete or asphalt.
- ❑ Shredded bark mulch, wood chips, fine sand and fine gravel, are added as shock absorbing materials after assembly. If used properly these materials can absorb some of the impact of a child's fall.
- ❑ All surface material should extend a minimum of 6 feet in all directions around the play area.

The following chart explains the fall height in feet from which a life threatening head injury would not be expected

Critical Heights in feet (m) of Tested Materials

Material	Uncompressed Depth			Compressed Depth to 9" (228mm)
	6" (152mm)	9" (228mm)	12" (304mm)	
Wood Chips	7' (2.13m)	10' (3.05m)	11' (3.35m)	10' (3.05m)
Double-Shredded bark mulch	6' (1.83m)	10' (3.05m)	11' (3.35m)	7' (2.13m)
Engineered Wood Fibers	6' (1.83m)	7' (2.13m)	> 12' (3.66m)	6' (1.83m)
Fine Sand	5' (1.52m)	5' (1.52m)	9' (2.74m)	5' (1.52m)
Coarse Sand	5' (1.52m)	5' (1.52m)	6' (1.83m)	4' (1.22m)
Fine Gravel	5' (1.52m)	7' (2.13m)	10' (3.05m)	6' (1.83m)
Medium Gravel	5' (1.52m)	5' (1.52m)	6' (1.83m)	5' (1.52m)
Shredded Tires*	10-12' (3.0-3.6m)	N/A	N/A	N/A

*This data is from tests conducted by independent testing laboratories on a 6-inch depth of uncompressed shredded tire samples produced by four manufacturers. The tests reported critical heights, which varied from 10 feet to greater than 12 feet. It is recommended that persons seeking to install shredded tires as a protective surface request test data from the supplier showing the critical height of the material when it was tested in accordance with ASTM F1292.

Operating Instructions:

NOTE: Your children's safety is our #1 concern. Observing the following statements and warnings reduces the likelihood of serious or fatal injury. Please review these safety rules regularly with your children.

1. This Playcenter is designed for the use of 3 occupants who have a combined weight not exceeding 280 pounds.
2. On-site adult supervision is **required**.
3. Instruct children **not** to walk close to, in front of, behind, or between moving swings or other moving playground equipment.
4. Instruct children to sit in and **never** stand on swings
5. Instruct children **not** to twist the chains and ropes and not to loop them over the top support bar, since this may reduce the strength of the chain or rope.
6. Instruct children **not** to jump from swings or other playground equipment in motion.
7. Instruct children to **not push** empty seats. The seat may hit them and cause serious injury.
8. Instruct and teach children to sit in the center of the swings with their full weight on the seats.
9. Instruct children **not** to use the equipment in a manner other than intended.
10. Instruct children to **always** go down slides feet first. Never slide headfirst.
11. Instruct children to **look** before they slide to make sure no one is at the bottom.
12. Instruct children to **never** run up a slide, as this increases their chances of falling.
13. The parents should have the children **dress appropriately** with well-fitting shoes. Loose clothing such as scarves and ponchos should not be worn. Always take off, tie up or tuck in cords and drawstrings on children's clothing. These things can get caught on playground equipment and strangle a child.
14. Instruct children **not** to climb when the equipment is wet.
15. Instruct children to **never** jump from a fort deck. They should always use the ladder, ramp or slide.
16. Instruct children to **never** crawl or walk across the top of monkey bars.
17. Instruct children to **never** crawl on top of a fort roof.
18. Verify that any suspended climbing ropes, chain, or cable are secured at both ends and that they cannot be looped back on it.
19. Instruct children **not** to attach items to the playground equipment that are not specifically designed for use with the equipment, such as, but not limited to, jump ropes, clothesline, pet leashes, cables and chain as they may cause a strangulation hazard.
20. Instruct children to **never** use Monkey Bar when swings or glider are in use.
21. Instruct children to **never** wrap their legs around swing chain.

Maintenance Instructions:

1. Check all nuts and bolts twice monthly during the usage season and tighten as required. (But not so tight that you crack the wood) We recommend you check the swing beam and hardware every two weeks due to wood expansion and contraction. It is particularly important that this procedure be followed at the beginning of each season.
2. Remove plastic swing seats and take indoors or do not use when the temperature drops below 32 °F.
3. Oil all metallic moving parts monthly during the usage period.
4. Check all coverings for bolts and sharp edges twice monthly during usage season to be certain they are in place. Replace when necessary. It is especially important to do this at the beginning of each new season.
5. Check swing seats, ropes, cables and chains monthly during usage season for evidence of deterioration. Replacement should be made of any swing seat that has developed cracks in the plastic seats or has exposed metal in the edges of the swing seat. If there are already exposed metal inserts on the edge of the seat, immediately remove the seats and chains to prevent serious injury. Ropes, cables and chains should be removed and replaced if excessive wear is found. Contact Adventure Playsets for replacement parts.
6. For rusted areas on metallic members such as monkey bars, hand supports, brackets, etc., sand and repaint, using a non lead-based paint meeting the requirements of Title 16 CRF Part 1303.
7. Inspect wood parts monthly. The grain of the wood sometimes will lift in the dry season causing splinters to appear. Light sanding may be necessary to maintain a safe playing environment. If you are treating your Playcenter with stain regularly, it will help prevent severe checking/splitting and other weather damage.
8. We recommend treating the wood components once or twice a year depending on the type of weather you have and when sanding has been required to maintain a good surface. We treat our wood with a waterborne transparent stain.
9. Creating and maintaining the Playcenter on a level location is very important. As your children play, your Playcenter will slowly dig its way into the soil, and it is very important that it settles evenly. Make sure the play set is level and true once each year or at the beginning of each play season.

Disposal Instructions:

When the Playcenter use is no longer desired, it should be disassembled and disposed of in such a way that no unreasonable hazards will exist at the time the unit is discarded.

NOMINAL MATERIAL SIZES			
NAMED SIZE		TRUE SIZE	
Imperial (")	Metric (mm)	Imperial (")	Metric (mm)
1x6	2.5x15.3	3/4x5 1/2	1.9x14
5/4x4	3.2x10.2	1x3 1/2	2.5x9
5/4x6	3.2x15.3	1x5 1/2	2.5x14
2x2	5x5	1 1/2x1 1/2	3.8x3.8
2x3	5x7.6	1 1/2x2 1/2	3.8x6.4
2x4	5x10	1 1/2x3 1/2	3.8x9
2x6	5x15.3	1 1/2x5 1/2	3.8x14
4x4	10x10	3 1/2x3 1/2	9x9
Estimated Sizing Due to Molding of Wood			

APPENDIX A

Information on Playground Surfacing Materials:

The following information is from the *United States Consumer Product Safety Commission's Information Sheet for playground surfacing material*. Also see the following website for additional information: www.cpsc.gov/cpscpub/pubs/323.html.

X3. CONSUMER INFORMATION SHEET FOR PLAYGROUND SURFACING MATERIALS¹¹

X3.1 The U.S. Consumer Product Safety Commission (CPSC) estimates that about 100,000 playground equipment-related injuries resulting from falls to the ground surface are treated annually in U.S. hospital emergency rooms. Injuries involving this hazard pattern tend to be among the most serious of all playground injuries, and have the potential to be fatal, particularly when the injury is to the head. The surface under and around playground equipment can be a major factor in determining the injury-causing potential of a fall. It is self evident that a fall onto a shock-absorbing surface is less likely to cause a serious injury than a fall onto a hard surface. Playground equipment should never be placed on hard surfaces such as concrete or asphalt and while grass may appear to be acceptable it may quickly turn to hard packed earth in areas of high traffic. Shredded bark mulch, wood chips, fine sand or fine gravel are considered to be acceptable shock absorbing surfaces when installed and maintained at a sufficient depth under and around playground equipment.

X3.2 Table X3.1 lists the maximum height from which a child would not be expected to sustain a life-threatening head injury in a fall onto four different loose-fill surfacing materials if they are installed and maintained at depths of 6, 9, and 12 in. However, it should be recognized that all injuries due to falls cannot be prevented no matter what surfacing material is used.

X3.3 It is recommended that a shock absorbing material should extend a minimum of 6 ft in all directions from the perimeter of stationary equipment such as climbers and slides. However, because children may deliberately jump from a moving swing, the shock absorbing material should extend in the front and rear of a swing a minimum distance of 2 times the height of the pivot point measured from a point directly beneath the pivot on the supporting structure.

X3.4 This information is intended to assist in comparing the relative shock-absorbing properties of various materials. No particular material is recommended over another. However, each material is only effective when properly maintained. Materials should be checked periodically and replenished to maintain correct depth as determined necessary for your equipment. The choice of a material depends on the type and height of the playground equipment, the availability of the material in your area, and its cost.

¹¹This information has been extracted from the CPSC publications "Playground Surfacing — Technical Information Guide" and "Handbook for Public Playground Safety." Copies of these reports can be obtained by sending a postcard to: Office of Public Affairs, U.S. Consumer Product Safety Commission, Washington, D.C., 20207 or call the toll-free hotline: 1-800-638-2772.

The American Society for Testing and Materials takes no position respecting the validity of any patent right asserted in connection with any item mentioned in this standard. Users of this standard are expressly advised that determination of the validity of any such patent rights, and the risk of infringement of such rights, are entirely their own responsibility.

The standard is subject to revision at any time by the responsible technical committee and must be reviewed every five years and if not revised, either approved or withdrawn. Your comments are invited either for revision of this standard or for additional standards and should be addressed to ASTM Headquarters. Your comments will receive careful consideration at a meeting of the responsible technical committee, which you may attend. If you feel that your comments have not received a fair hearing you should make your views known to the ASTM Committee on Standards. 100 Barr Harbor Drive, West Conshohocken, PA 19428.

The Bellevue

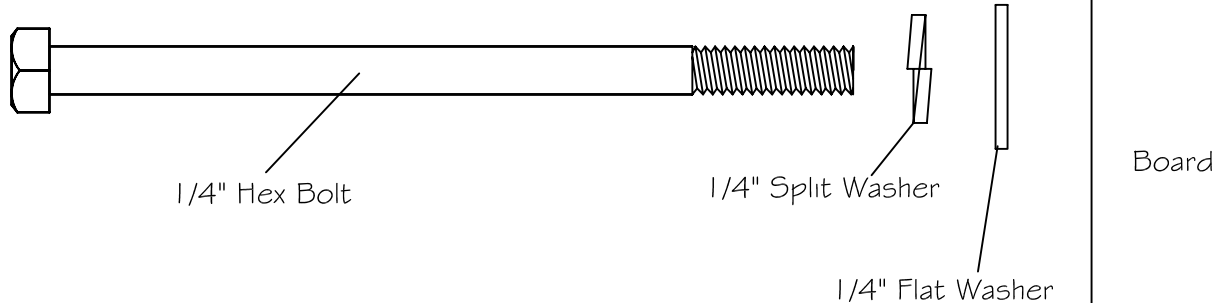
Assembly Instructions



BOLTING INSTRUCTIONS

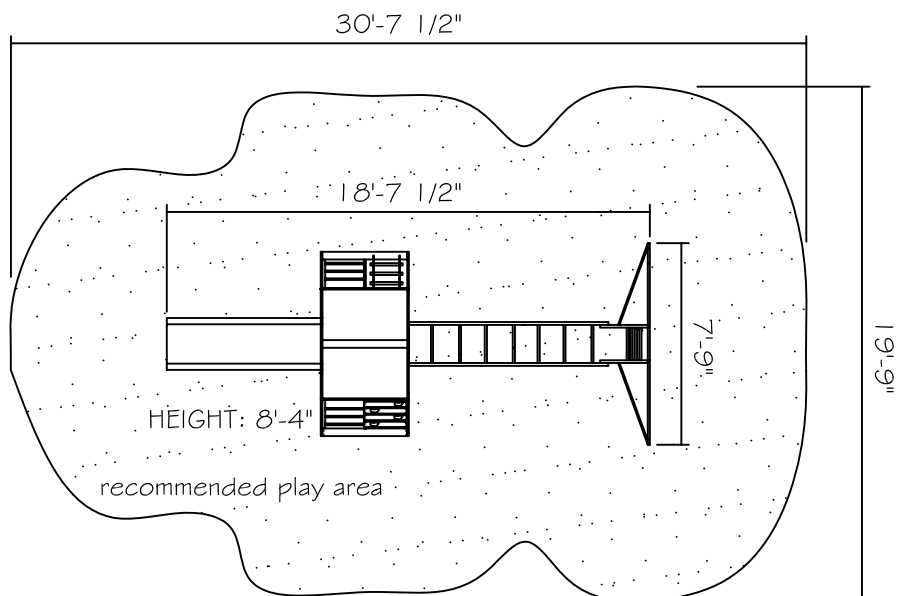
THROUGHOUT THESE INSTRUCTIONS, WHEN USING A BOLT WITH A T-NUT; A SPLIT WASHER AND FLAT WASHER MUST BE USED BETWEEN THE HEAD OF THE HEX BOLT & THE BOARDS BEING BOLTED.

USING THESE WASHERS WILL KEEP HEX BOLTS FROM LOOSENING FROM THE T-NUT AND GOING INTO THE BOARD. IF USING A 1/4" HEX BOLT, 1/4" WASHERS MUST BE USED AND IF USING A 5/16" HEX BOLT, 5/16" WASHERS MUST BE USED.



BASIC SETUP DIMENSIONS

Place the set on level ground, not less than 6ft from any structure or obstruction such as a fence, garage, house, overhanging branches, laundry lines, or electrical wires.



PARTS IDENTIFICATION

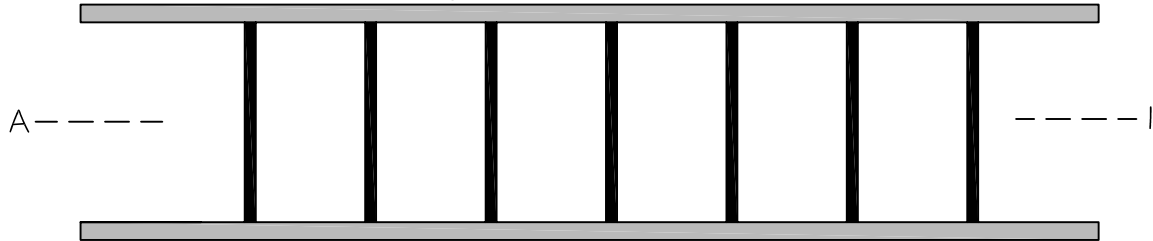
WOOD COMPONENTS

ID LETTER

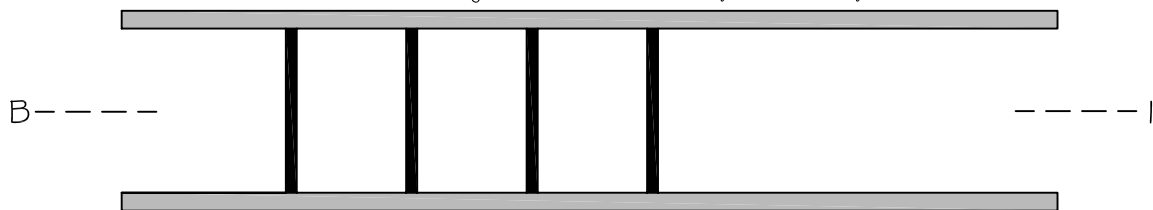
DESCRIPTION

QUANTITY

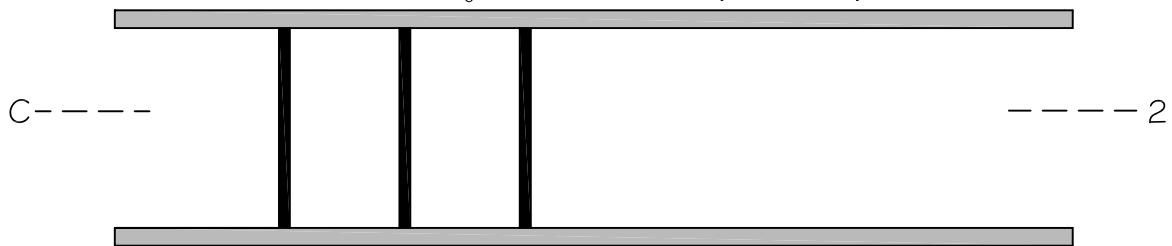
92" Rails/7 Rung Top Ladder Assembly (Cranberry) 2A1041-05



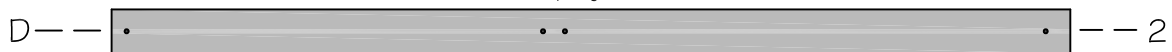
85 1/2" Rails/4 Rung End Ladder Assembly (Cranberry) 2A1042-05



87 5/8" Rails/3 Rung Fort Ladder Assembly (Cranberry) 2A1043-05



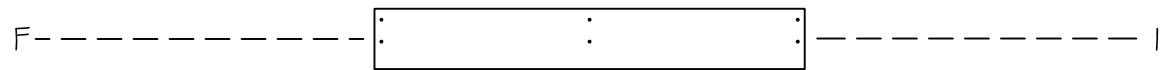
2x4x87 5/8" Fort Upright (Cranberry) 4LP1035-05



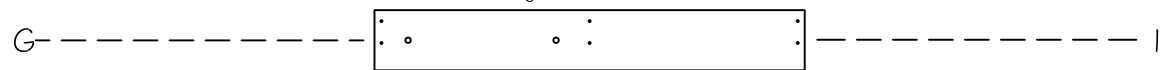
1x6x85" Fort Ground Beam 4L1380-05



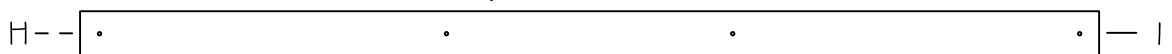
1x6x39 1/4" Ground Board 4L1381-05



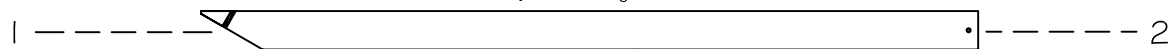
1x6x39 1/4" Cargo Net Board 4L1382-05



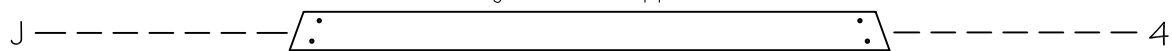
1x4x93" Monkey Bar Ground Beam 4L1383-05



5/4x4x71" Monkey Bar Angle Brace 4L1384-05



1x4x54 3/4" Angled Floor Support 4L1385-05




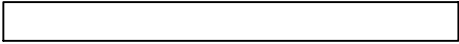
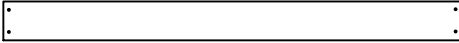

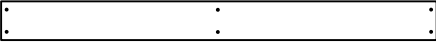
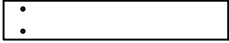
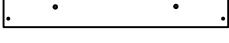
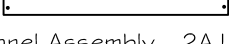
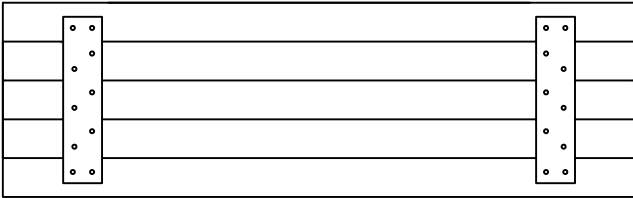

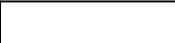

PARTS IDENTIFICATION

WOOD COMPONENTS cont.

ID LETTER

DESCRIPTION

QUANTITY

L	5/4x4x50 3/8" Monkey Bar Cross Brace 4L1387-05 	2
M	1x4x41" Wall Slat 4L1388-05 	4
N	1x4x41 1/4" Tarp End Cap 4L1389-05 	2
O	1x4x39 1/4" Tarp Support 4L1390-05 	1
P	1x4x39 1/4" Fort Rail 4L1391-05 	2
Q	5/4x4x20 1/4" Tarp Upright 4L1392-05 	2
R	1x4x20 1/4" Cargo Net Board 4L1393-05 	1
S	1x4x20 1/4" Rockwall Board 4L1394-05 	6
T	Floor Panel Assembly 2A1044-05 	2
U	2x4x44 7/8" Middle Floor Brace 4L1395-05 	1
V	5/4x4x16 1/4" Middle Floor Cleat 4L1401-05 	2
W	1x4x20 1/4" Rockwall Board (No Rock) 4L1496-05 	1

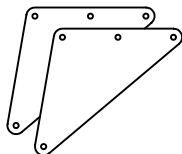
PARTS IDENTIFICATION

ACCESSORIES

3 - Pair Yellow Hand Grips
GPO02



2 - Triangle End Ladder Braces
4M089



12 - Plastic
2x4 Caps
GLP301-A/ea



1 - Adventure Playsets Identification Sticker
6BLAB22



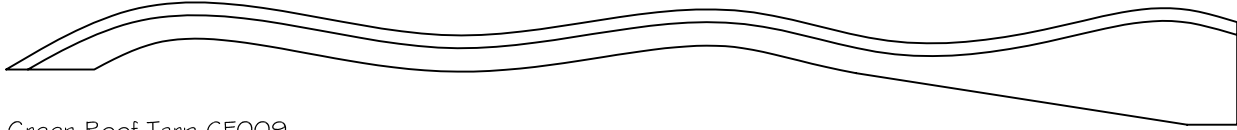
16 - Green 'L' Brackets 6M021



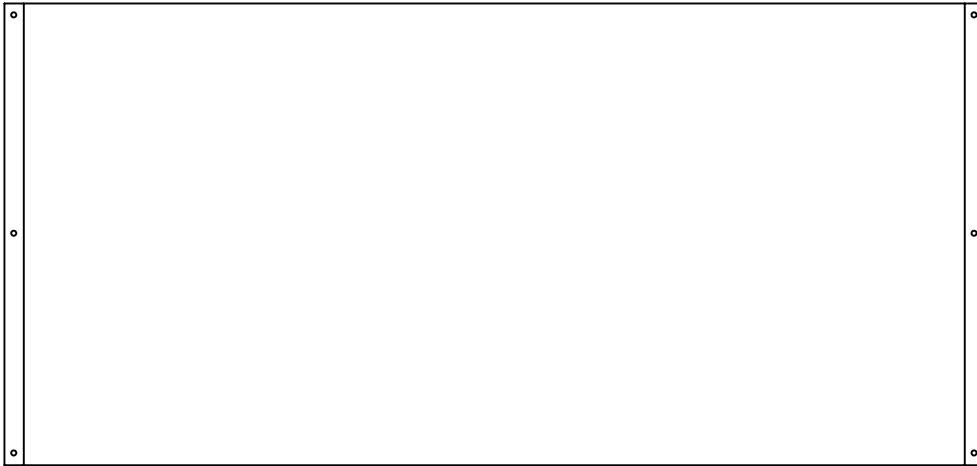
PARTS IDENTIFICATION

ACCESSORIES cont.

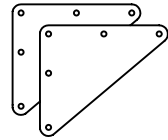
1 - 8' Green Wave Slide GPO58



1 - Green Roof Tarp GF009



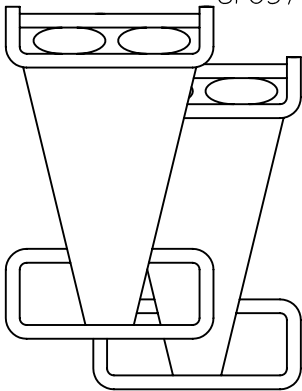
2 - Metal Mending Plate
GMO19



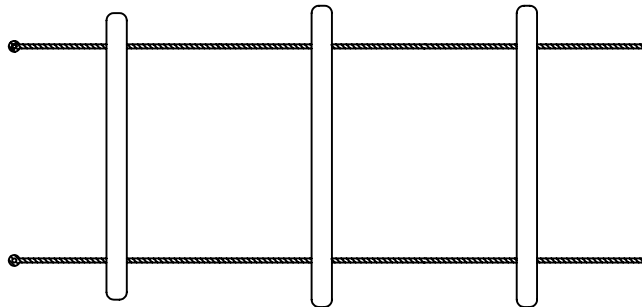
6 - 16" Metal Stakes GMO12



2 - Yellow Glider Arms
GPO57



1 - 3 Rung Cargo Net GHCN003

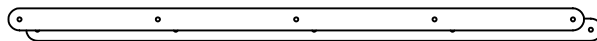


1 - Green Glider Seat GPO23



4 - Plastic Glider
Arm Caps
3H1100-05 

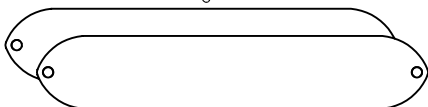
2 - 2"x50" Green Metal Strips 4M1018-05



4 - Green Plastic Coated Swing Chain



2 - Yellow Swing Seats



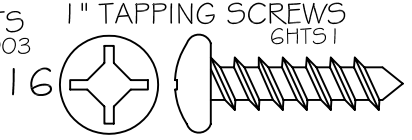
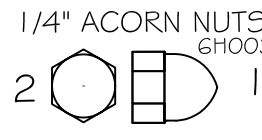
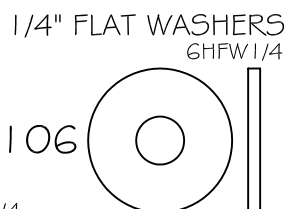
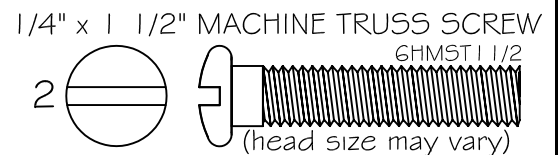
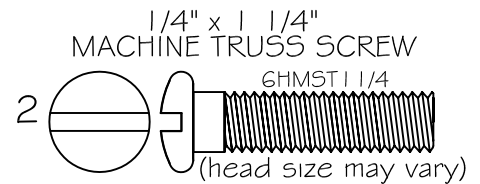
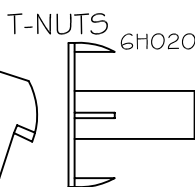
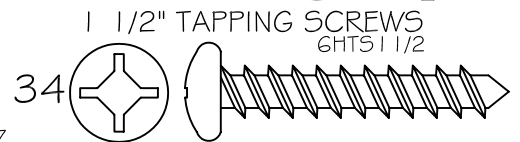
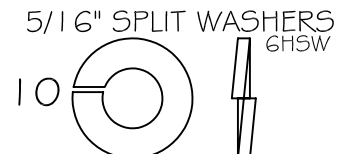
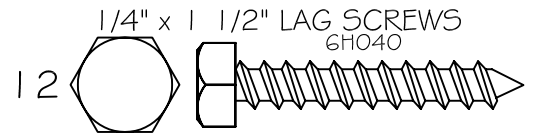
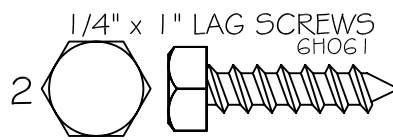
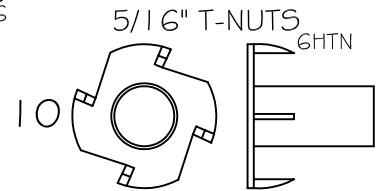
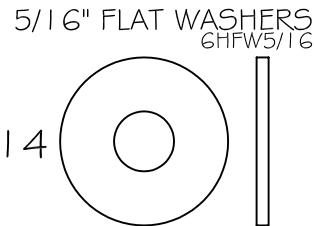
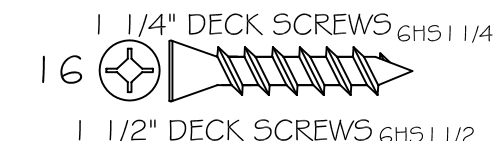
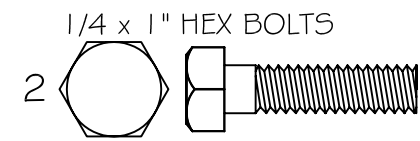
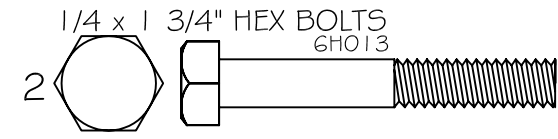
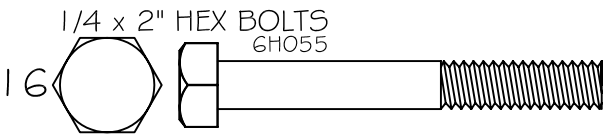
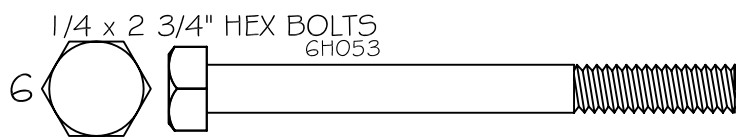
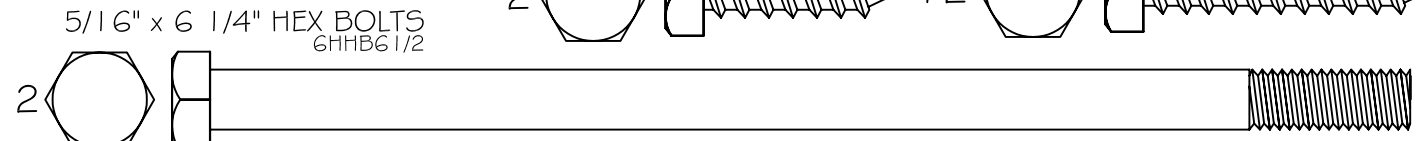
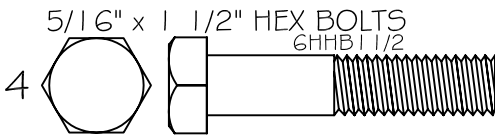
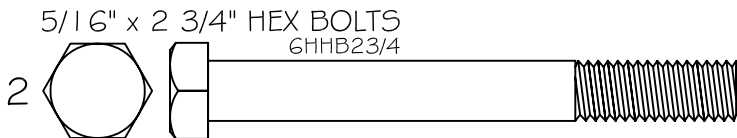
2 - 114" Green Plastic Coated Glider Chain GMO17



HARDWARE IDENTIFICATION

FORT HARDWARE BAG - 3H1059-05

Note: Hardware that may be packaged with Yellow Hand Grips will not be used. Hardware for attachment is supplied in this bag.

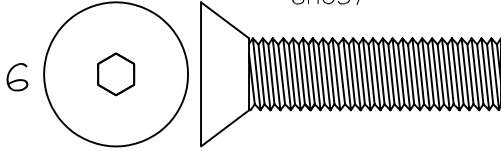


HARDWARE IDENTIFICATION

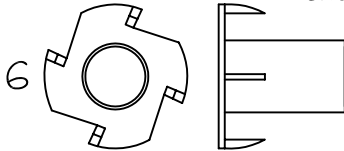
ROCK HARDWARE BAG

6 ROCKWALL ROCKS (NOT SHOWN)

3/8" FLAT HEAD BOLTS
6H037



3/8" ROCK WALL T-NUTS
6H038



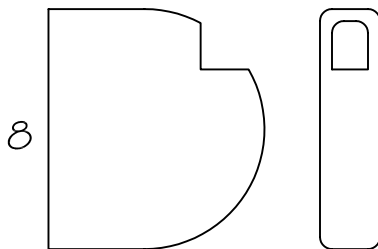
1 1/4" DECK SCREWS
6H51 1/4



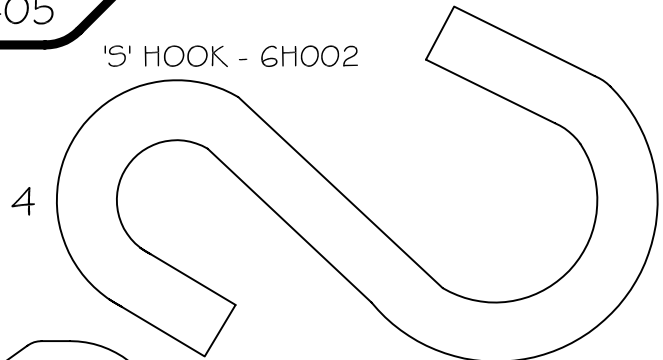
1 ALLEN
WRENCH

SWING HARDWARE BAG - 3H1062-05

BLACK PLASTIC SWING
HANGER COVER 6P017



'S' HOOK - 6H002



LAG SCREW SWING HANGER 6H001

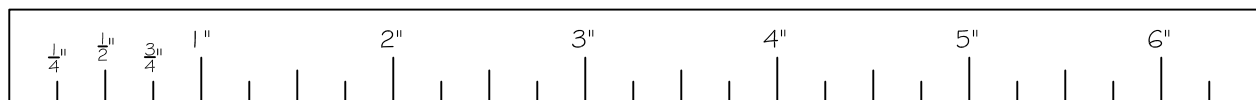
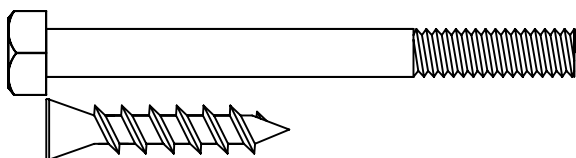


Measuring hardware

It is very important that you get the right hardware in the correct place when assembling the unit. You can use the ruler below to measure your hardware or you can compare the hardware to the hardware identification page.

NOTES:

- 1) Do not include bolt head when measuring length of bolt.
- 2) Include full length of deck screw when measuring.



PHASE 1

T-NUT & CAP INSTALLATION

Note: Flat and level surfaces should be used for assembly.

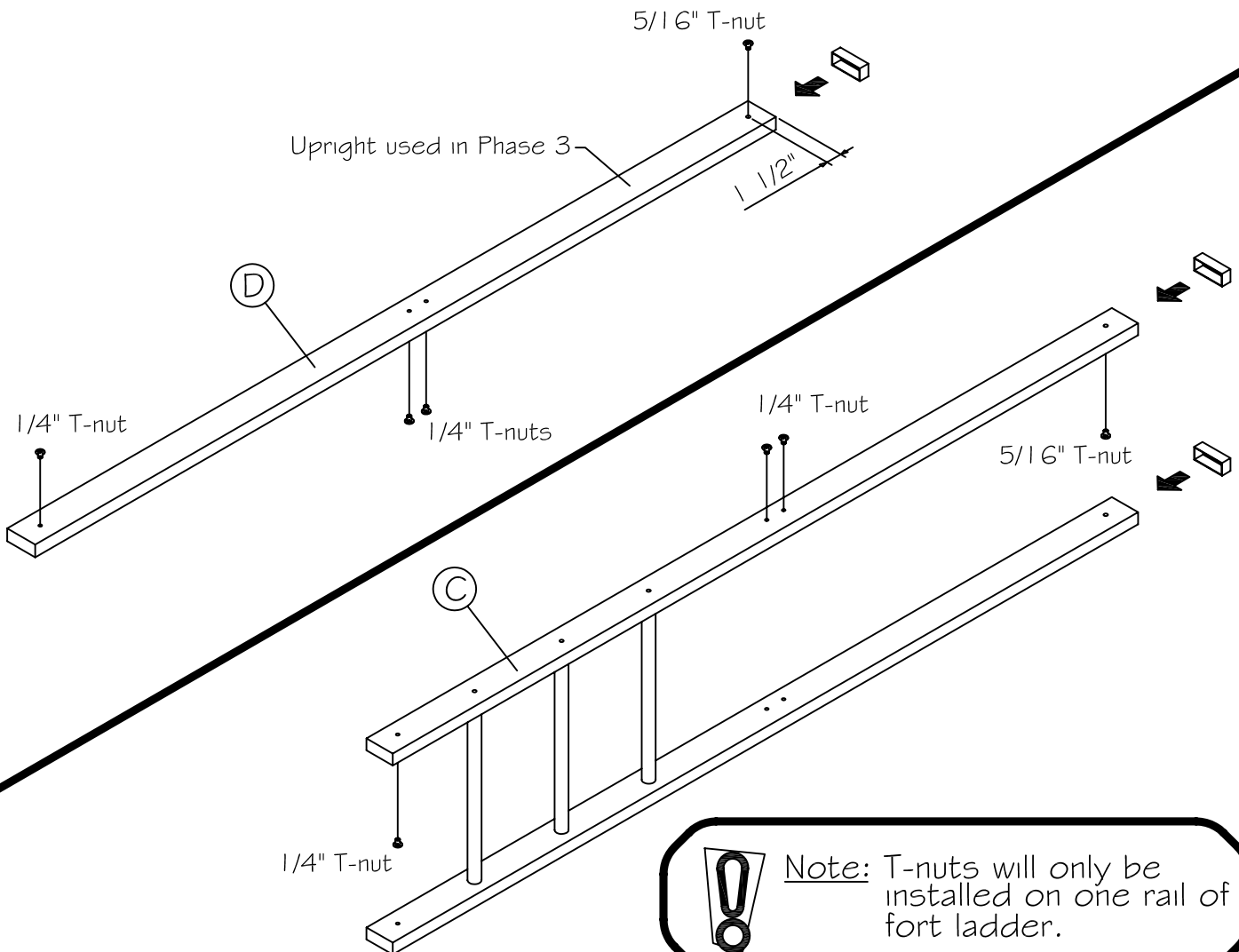
Step 1: Open all hardware bags in a box or secure container.

Step 2: Count and sort all hardware, accessories and wood components.

Step 3: Gather (2) Fort Uprights 'D', (2) Fort Ladders 'C' & Bag of 2x4 Caps.

Step 4: Place pre-glued caps on end of Fort Ladders 'C' where shown and place caps on end of uprights on top end where hole is located 1 1/2" from top. (make sure caps are on as flush as possible)

Step 5: Hammer t-nuts into holes on Uprights & Fort Ladders on sides shown. A 5/16" t-nut will go into hole on top of upright and 1/4" t-nuts will go in the other 3 holes. (t-nuts in middle holes will go in side opposite of t-nuts in the end holes) This will aid future assembly.



Note: T-nuts will only be installed on one rail of fort ladder.



Note: T-nuts must be installed on sides shown.

PHASE 2

FORT LADDER SETUP

Step 1: Gather (2) Fort Ladder Assemblies 'C'.

Step 2: Using a drill with a 3/16" bit, pre-drill a hole approximately 1 1/2" deep into each wooden rung on each ladder assembly. This will aid step 3.

Step 3: On both ladders, secure ladder rails to rungs by using a 1 1/2" tapping screw & 1/4" flat washer through pre-drilled hole as shown. (secure BOTH sides with tapping screws)

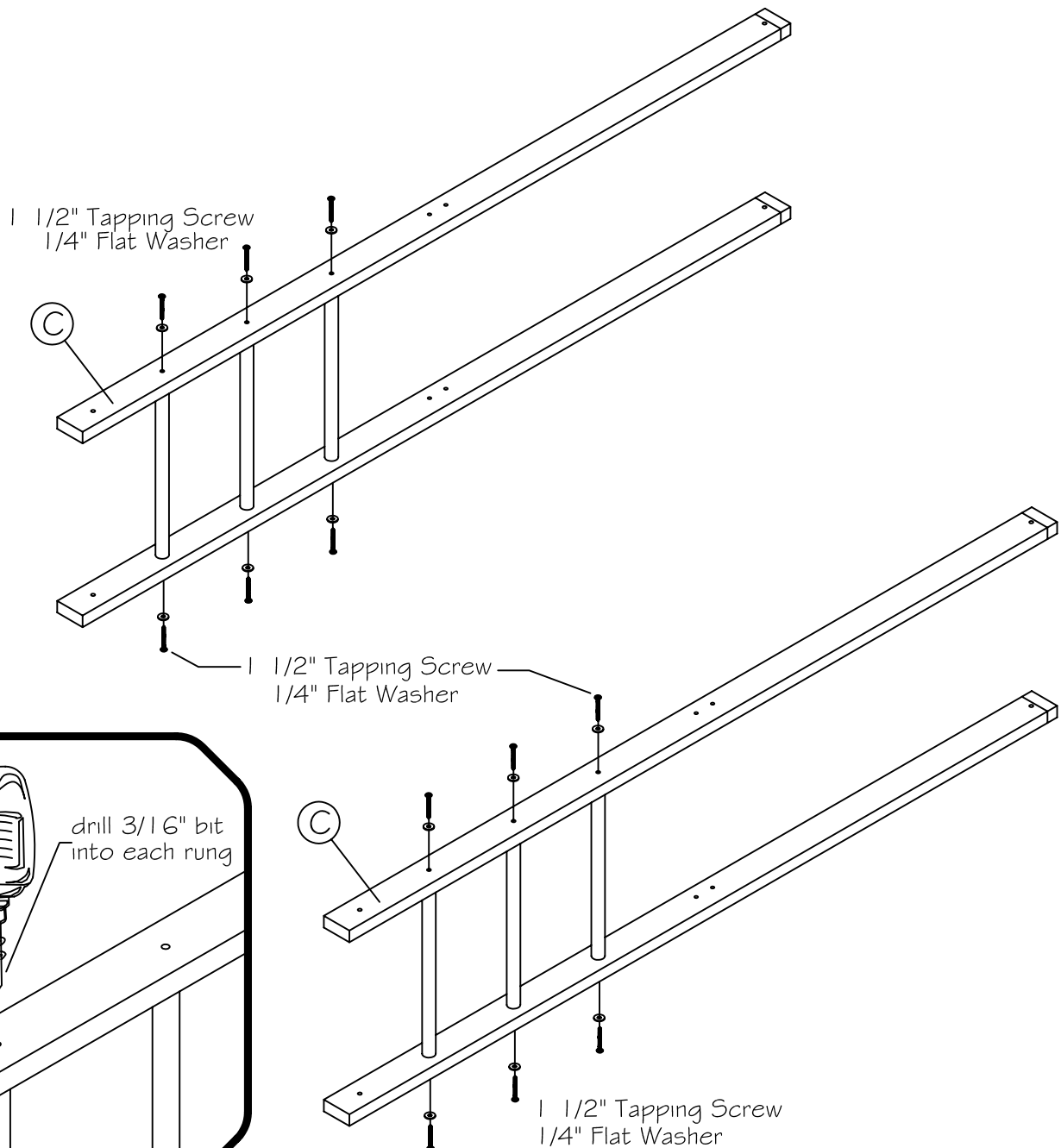


Fig. 1

PHASE 3

FRAME ASSEMBLY

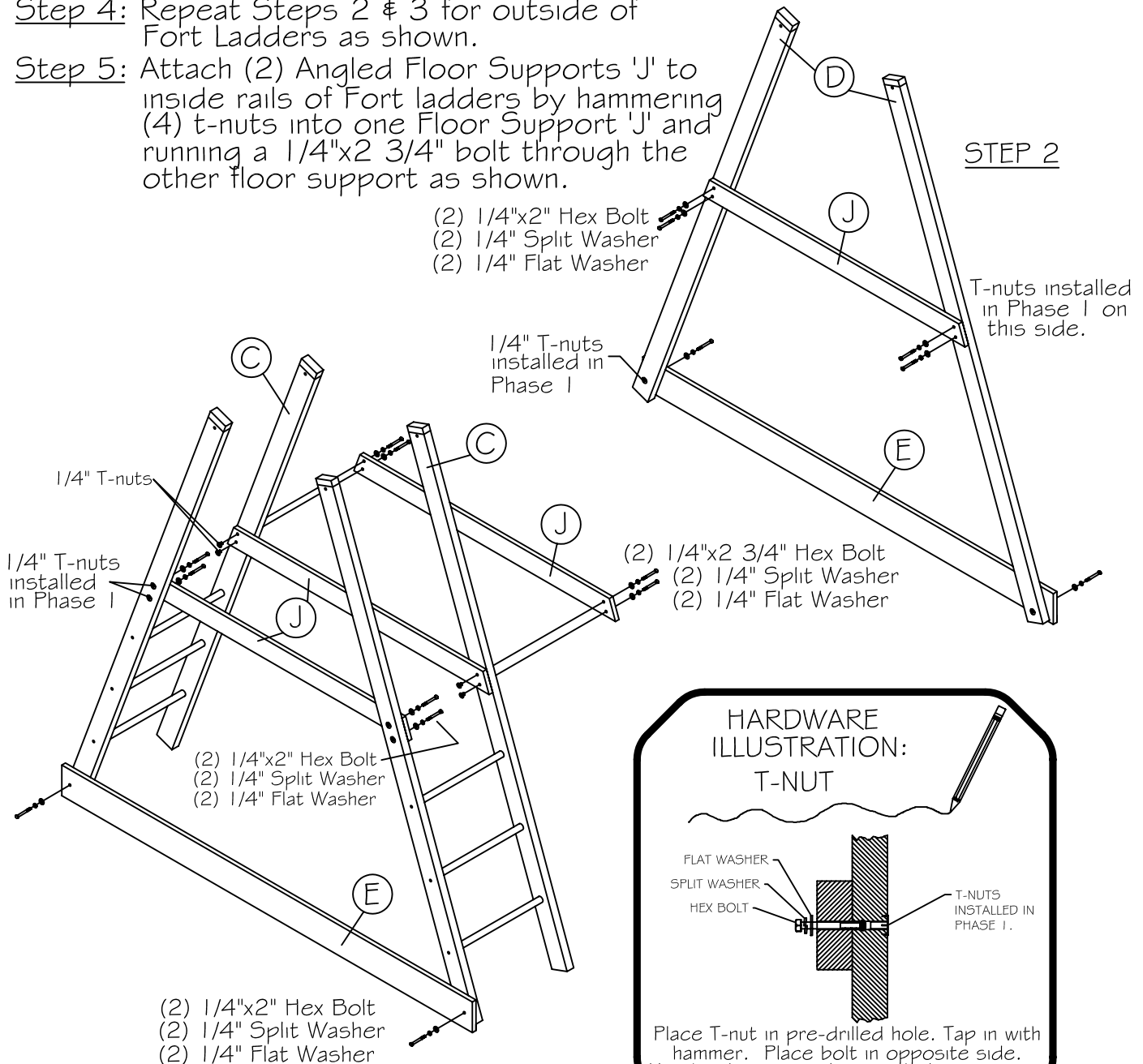
Step 1: Gather (2) Fort Ladder Assemblies 'C', (2) Fort Uprights 'D', (2) Fort Ground Beams 'E' & (4) Angled Floor Supports 'J'.

Step 2: Attach Angled Floor Support 'J' to Fort Uprights 'D' by using 1/4"x2" Hex Bolts through two middle holes on side opposite of t-nuts from Phase 1. Be sure to include split washer and flat washer as noted on page 9.

Step 3: Attach Fort Ground Beam 'E' to bottom of Fort Uprights with 2" Hex Bolts as shown.

Step 4: Repeat Steps 2 & 3 for outside of Fort Ladders as shown.

Step 5: Attach (2) Angled Floor Supports 'J' to inside rails of Fort ladders by hammering (4) t-nuts into one Floor Support 'J' and running a 1/4"x2 3/4" bolt through the other floor support as shown.



PHASE 4

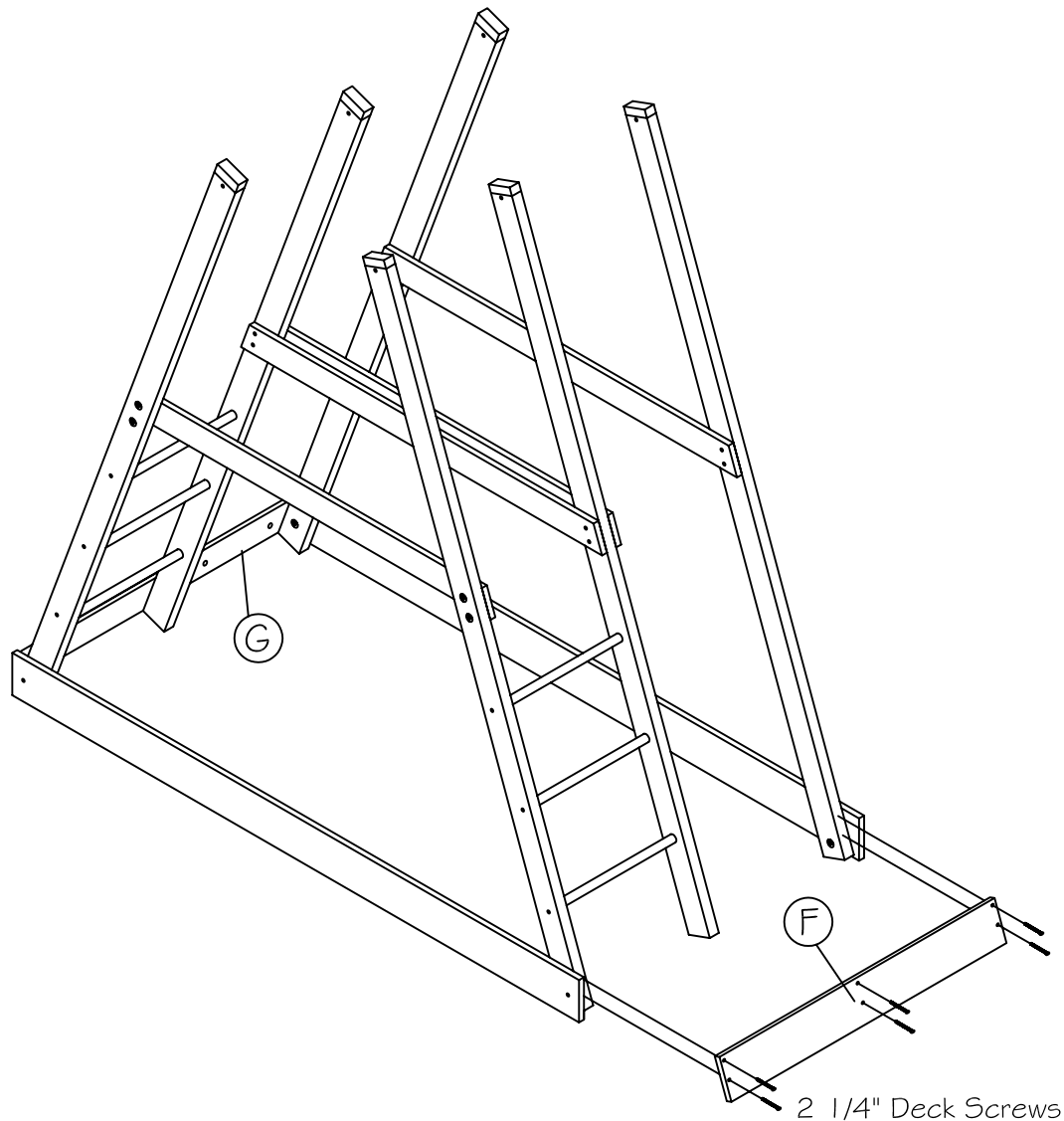
FRAME ASSEMBLY cont.

Step 1: Gather (1) Ground Board 'F' & (1) Cargo Net Board 'G'.

Step 2: Attach (1) Ground Board 'F' & (1) Cargo Net Board 'G' to bottom of rails of the frame with 2 1/4" Deck Screws. Boards should be flush with the ground and on correct side shown before attaching.



Note: An Adult helper is required to steady uprights while installing the ground boards.



PHASE 5

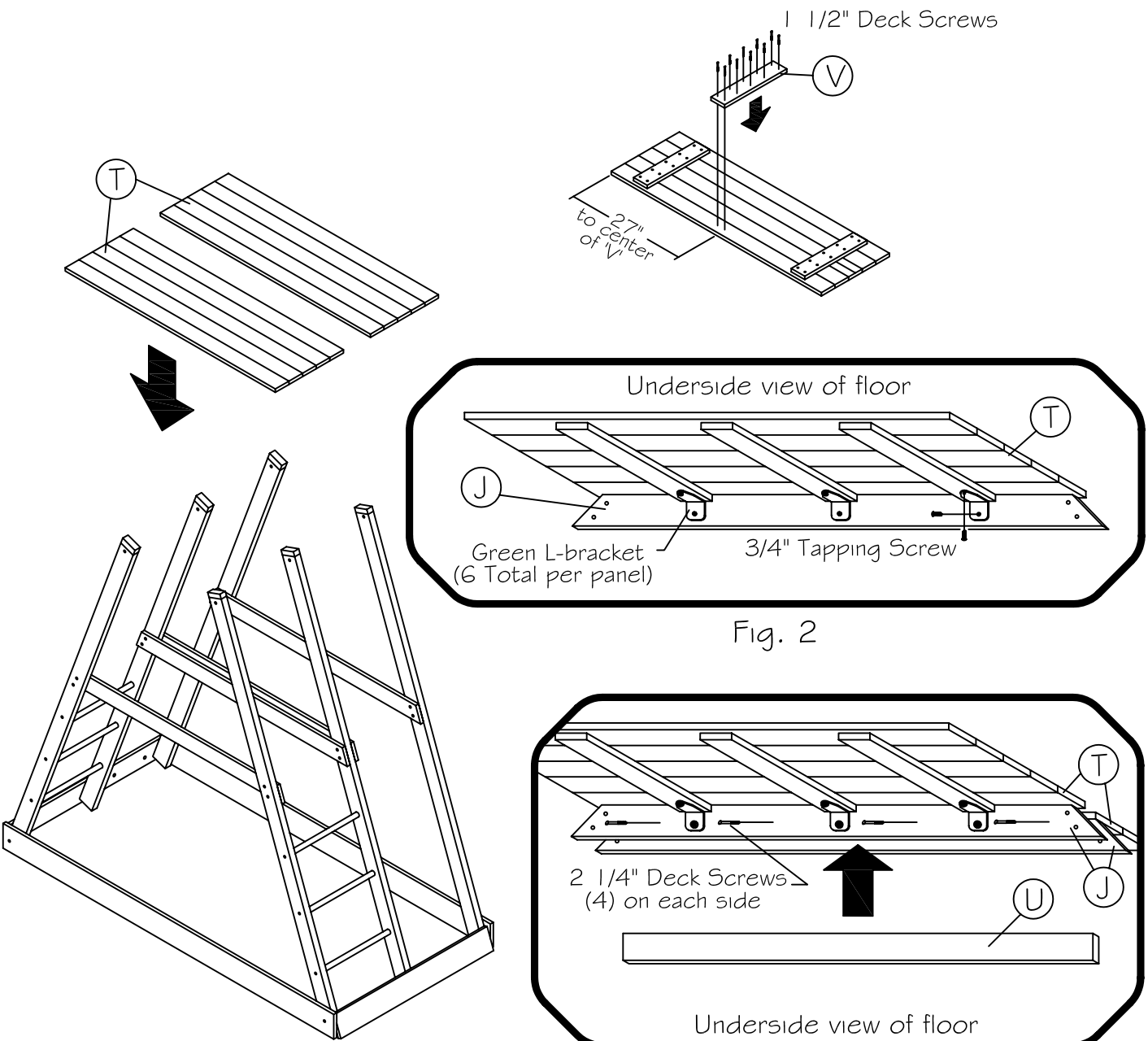
FLOOR ATTACHMENT

Step 1: Gather (2) Floor Panels 'T', (1) Middle Floor Brace 'U', (1) Middle Floor Cleat 'V' & (12) L-brackets.

Step 2: Attach (1) Middle Floor Cleat 'V' onto bottom center of EACH Floor Panel 'T' with (10) 1 1/2" deck screws as shown.

Step 3: Place (1) Floor Panel 'T' onto Floor Joists 'J' on each side of unit and attach w/ L-bracket to each cleat on panel and floor joist on unit. (see fig. 2) (6) L-brackets will be used per panel.

Step 4: From underneath floor, place Middle Floor Brace 'U' between floor panels 'T' and attach to floor joists 'J' with (4) 2 1/4" deck screws on each side. (see fig. 3) (brace should be flush with top of floor panels)



PHASE 6

ROCKWALL ATTACHMENT

- Step 1: Gather (6) Rockwall Boards 'S', (1) Fort Rail 'W' & (6) Rockwall Rocks.
- Step 2: Hammer 3/8" t-nuts into 1/2" diameter hole on each Rockwall Board 'S'.
- Step 3: Install first Rockwall Board 'S' by placing board flush with the bottom of Floor and attaching to Uprights with (4) 2 1/4" Deck Screws.
(Note: t-nut will go to inside of fort.)
- Step 4: Attach remaining Rockwall Boards 'S' to uprights by spacing boards approximately 2 7/8" apart and placed so rocks will alternate sides of wall and NOT placed in one straight line. (Note: place boards from the top to bottom.)
- Step 5: Attach Fort Rail 'W' to fort equally spaced below last rockwall board.
- Step 6: Attach Rockwall Rocks to each Rockwall Board 'S' with 3/8" flat head bolt into previously placed t-nut and with 1 1/4" deck screw as shown. (see fig 5)

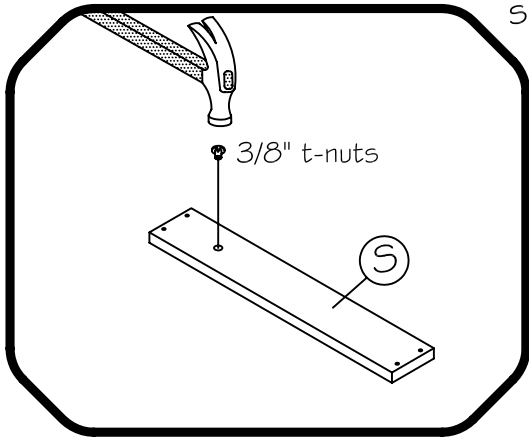


Fig. 4

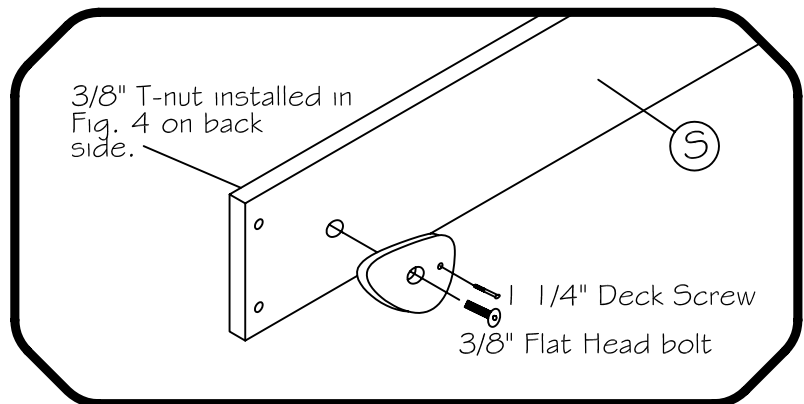
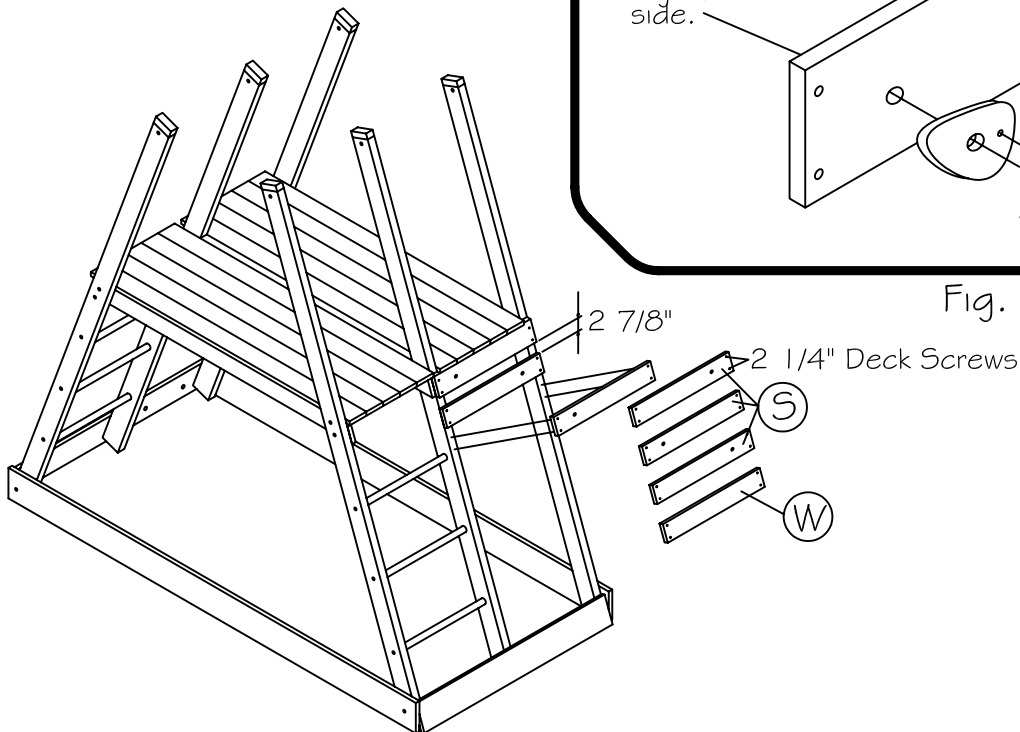


Fig. 5



PHASE 7

CARGO NET ATTACHMENT

Step 1: Gather (1) Cargo Net Board 'R' & (1) Cargo Net.

Step 2: Hammer 1/4" t-nuts into the (2) 5/16" diameter holes on Cargo Net Board 'R'. (see fig. 6)

Step 3: Attach Cargo Net Board 'R' flush with the bottom of the floor on the side opposite Rockwall with (4) 2 1/4" Deck Screws. (t-nuts on 'R' should go to inside of fort)

Step 4: Attach Cargo Net to unit as shown in Fig 7.

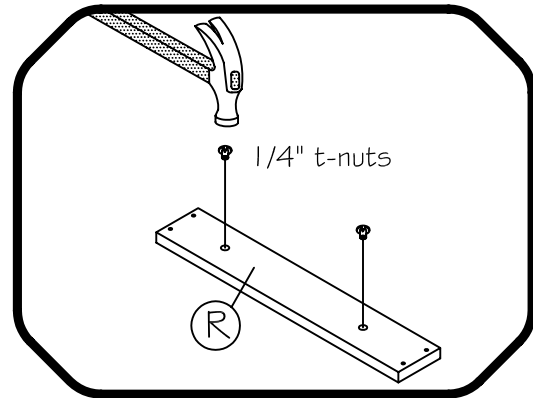


Fig. 6

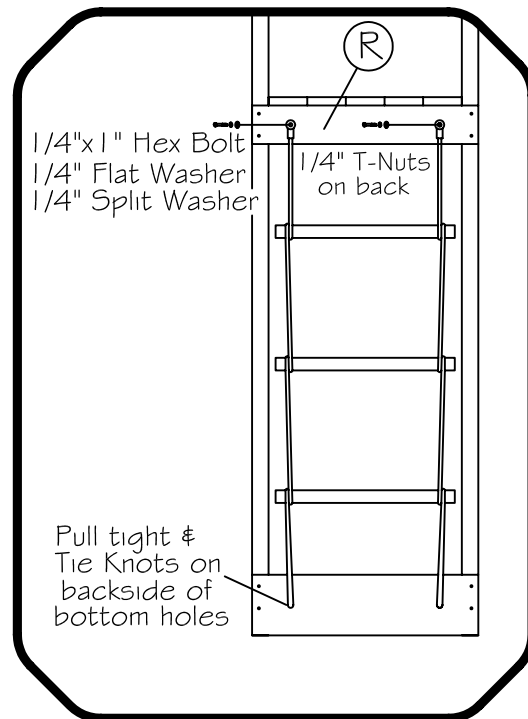
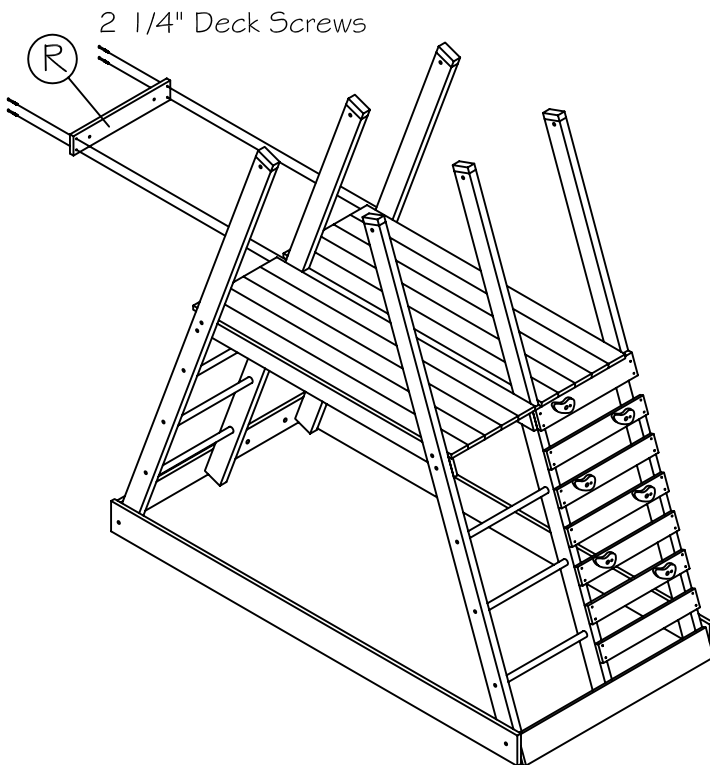


Fig. 7

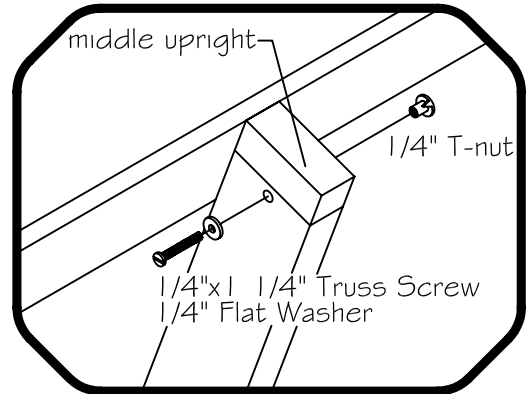
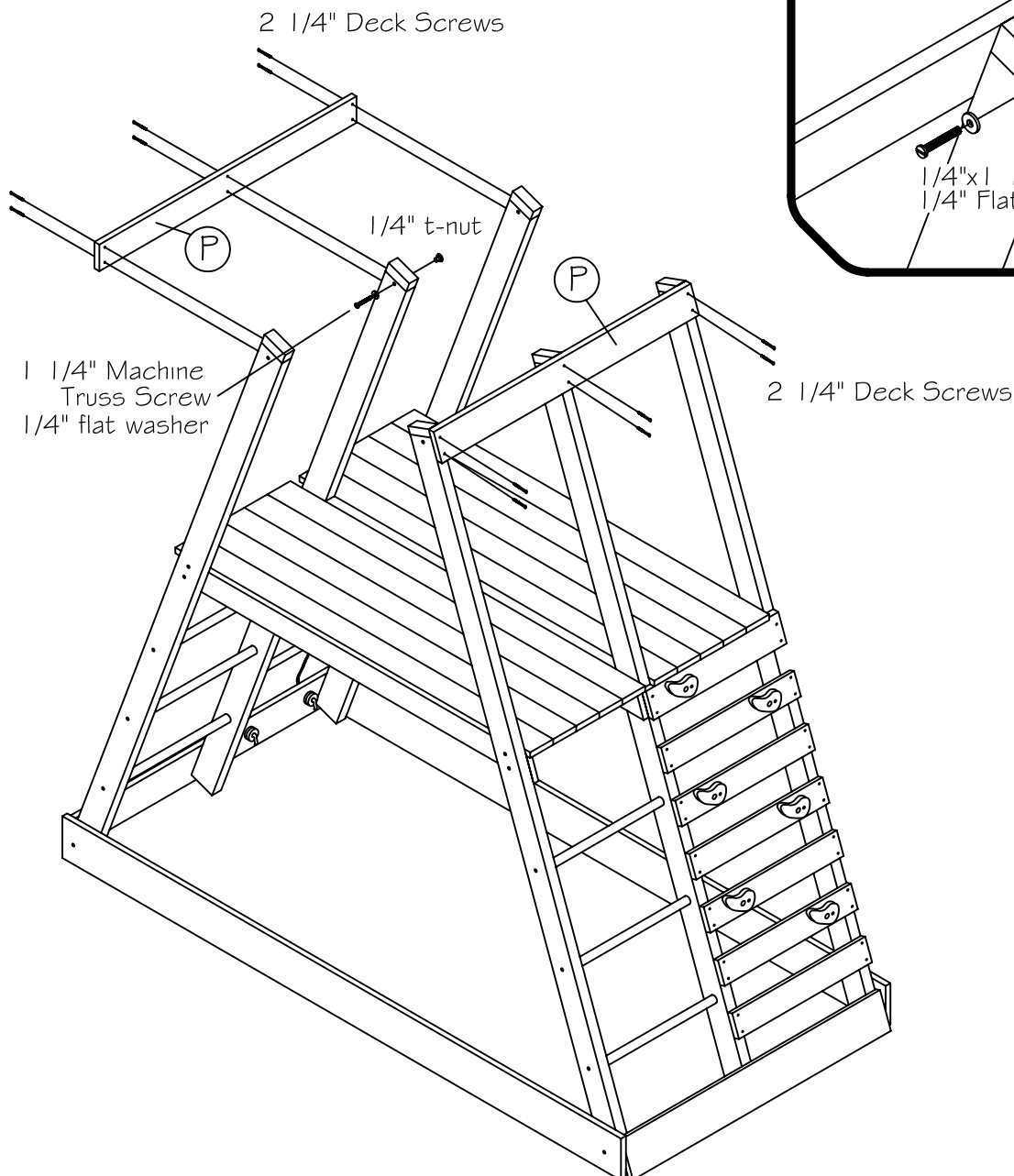
PHASE 8

FORT RAIL ATTACHMENT

Step 1: Gather (2) Fort Rails 'P'.

Step 2: Attach Fort Rails 'P' flush with the top of unit with (6) 2 1/4" deck screws each.

Step 3: To conform to ASTM safety standards F1148-4.1.15, the top hole on the middle upright is not used and must be filled. Place a 1/4" t-nut into hole and insert a 1/4"x1 1/4" machine truss screw with a 1/4" flat washer into other side of hole and tighten. (see detail below)



PHASE 9

ROOF ASSEMBLY

Step 1: Gather (2) Mending Plates.

Step 2: Place mending plate on outside upright on side where you intend to place the Monkey Bar Swing. (The Monkey Bar Swing can be attached on either side) Center middle hole $6\frac{1}{2}$ " down from top of upright and Attach with 1" tapping screws, flat washers in middle and bottom hole. Plate may have a little angle to it so the bottom screw will go into the board. Attach middle screw before attaching bottom screw. The top corner hole will not take a screw. (see Fig 8b)

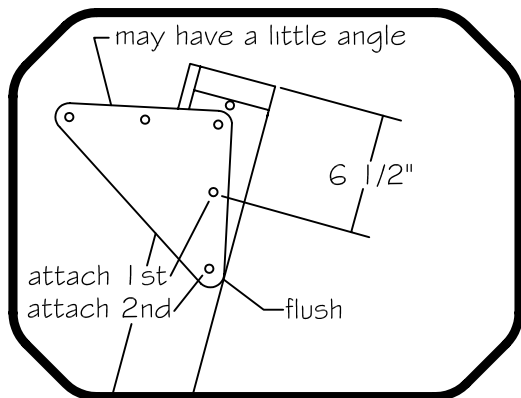


Fig. 8a

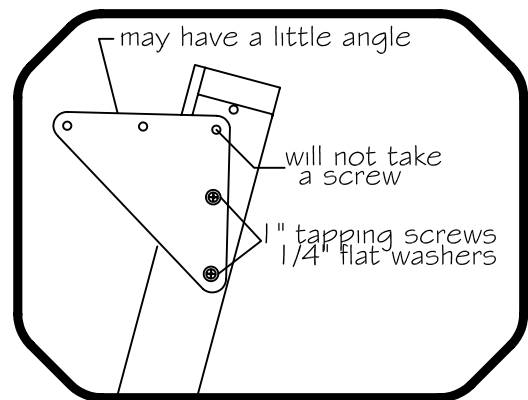
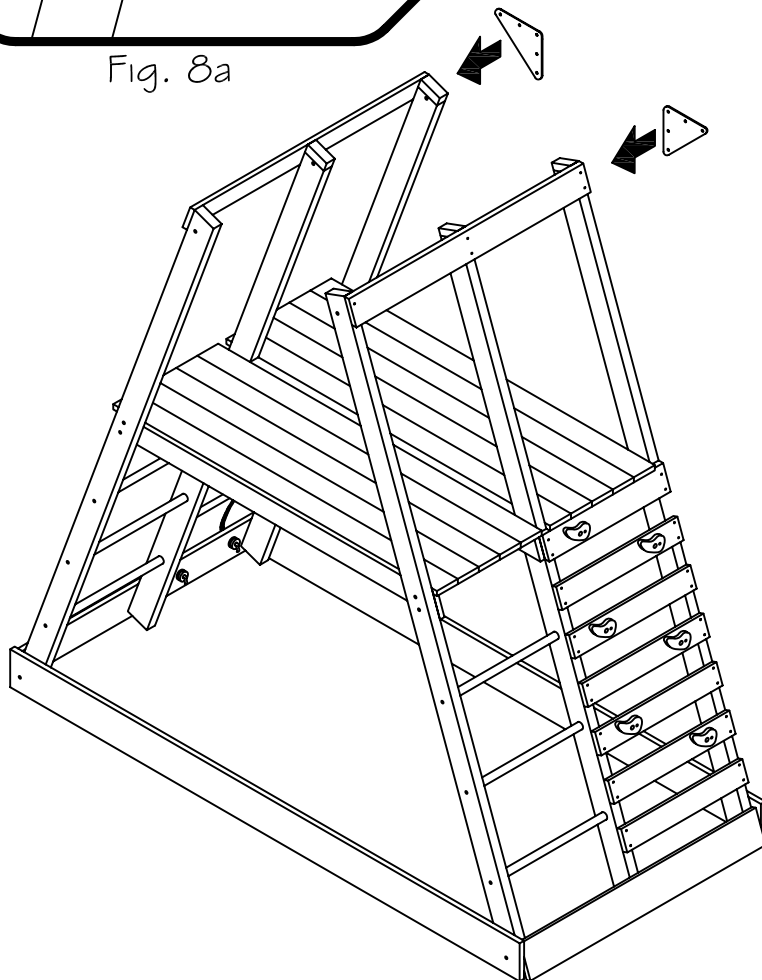


Fig. 8b



PHASE 10

ROOF ASSEMBLY cont.

Step 1: Gather (2) Tarp End Caps 'N', (1) Tarp Support 'O', (2) Monkey Bar Cross Brace 'L' & (2) Tarp Uprights 'Q'.

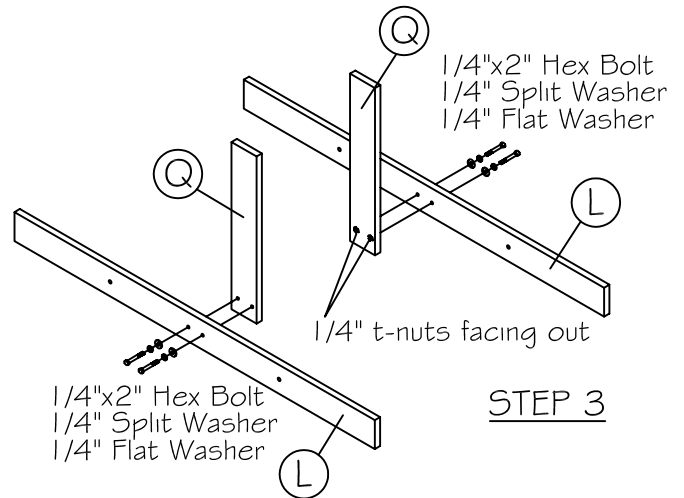
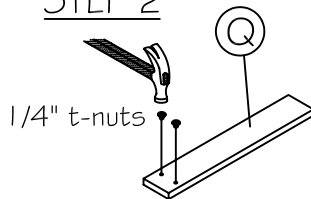
Step 2: Hammer 1/4" t-nuts into holes on both Tarp Uprights 'Q' as shown.

Step 3: Attach Tarp Uprights 'Q' to Cross Braces 'L' with 1/4"x2" Hex bolts and hardware shown. (Keep t-nuts on tarp uprights facing out)

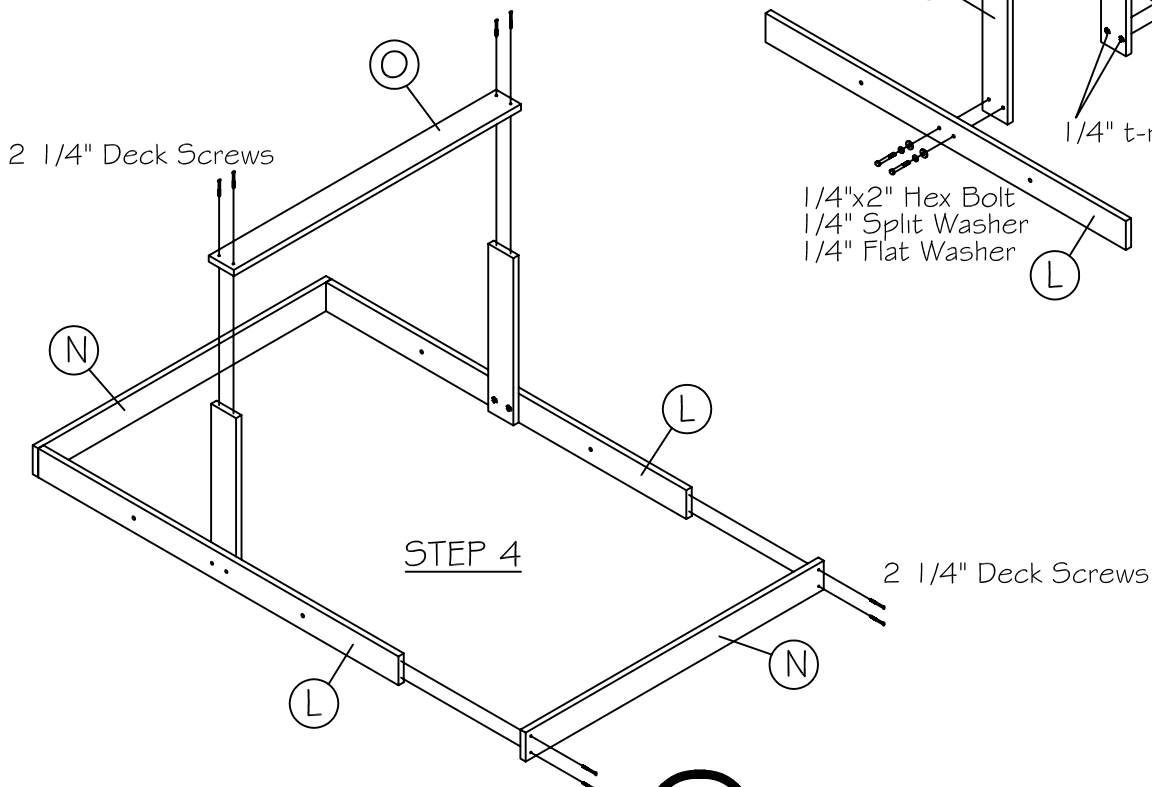
Step 4: Attach Tarp End Caps 'N' to ends of Cross Braces 'L' with 2 1/4" deck screws as shown.

Step 5: Attach Tarp Support 'O' to the top of Tarp Uprights 'Q' with 2 1/4" deck screws as shown.

STEP 2



STEP 3



STEP 4

PHASE 11

ROOF ATTACHMENT

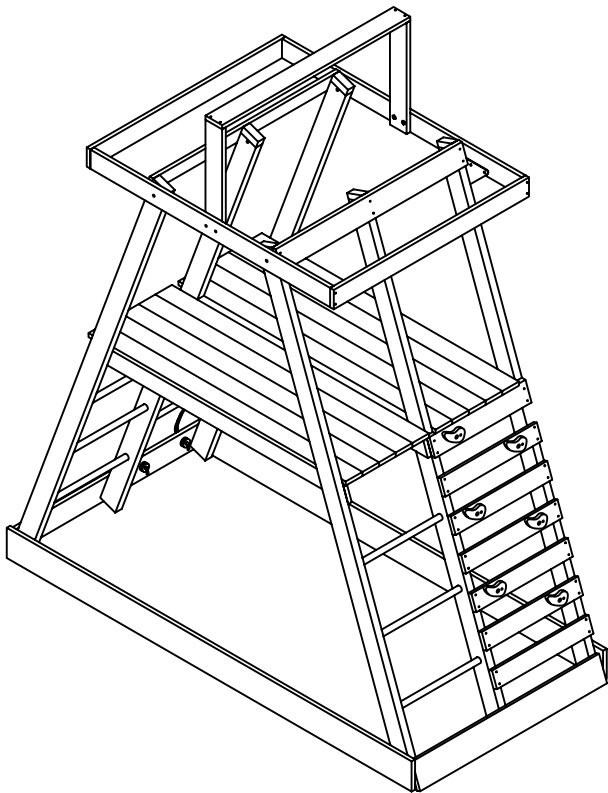
Step 1: Gather Tarp Assembly & Tarp.

Step 2: Attach tarp assembly to unit with 5/16"x2 1/2" Hex Bolts & 1" tapping screws as shown. The Hex Bolts will go in from the outside into the t-nut and the tapping screws will go in from the inside of the unit thru triangle mending plate. (do not overtighten hex bolts)

Step 3: Drape tarp over Tarp Support 'O' and End Caps 'N'. Attach one side of tarp to inside of one End Cap 'N' with (3) 3/4" tapping screws and 1/4" flat washers. Pull other side of tarp tight and attach to other End Cap 'N' with (3) 3/4" tapping screws and 1/4" flat washers as shown. (see Fig. 10 & 11)



Note: Keep Tarp Assembly square and level when attaching!



STEP 2

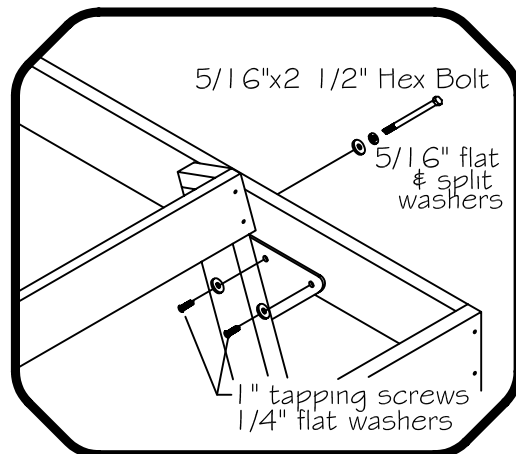


FIG. 9

STEP 3

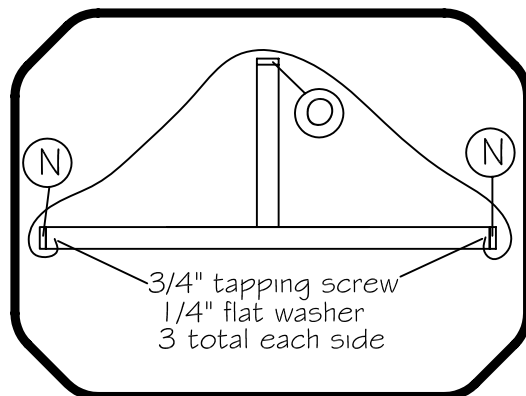


FIG. 10

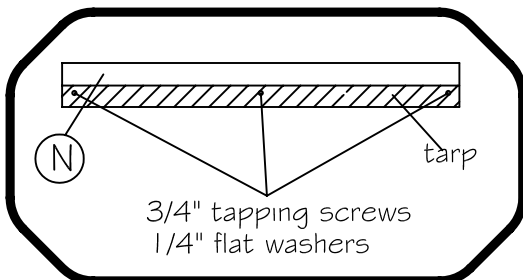


FIG. 11

PHASE 12

MONKEY BAR LADDER SETUP

- Step 1: Gather (1) Top Ladder Assembly 'A', (1) End Ladder Assembly 'B', Metal Strip & Plastic 2x4 Caps.
- Step 2: Apply caps to ends of ladders where shown.
- Step 3: Using a drill with a 3/16" bit, pre-drill a hole approximately 1 1/2" deep into each wooden rung on each ladder assembly. This will aid step 3 & 4. (See Fig. 12)
- Step 4: Secure Metal Strip to each side of Monkey Bar Top Ladder WHERE SHOWN with 1 1/2" tapping screws & 1/4" flat washers.
- Step 5: On both ladders, secure ladder rails to rungs by using a 1 1/2" tapping screw & 1/4" flat washer through pre-drilled hole as shown. (secure BOTH sides with tapping screws)
- Step 6: Hammer 5/16" t-nuts into hole shown near end of monkey bar top ladder 'A' as shown.

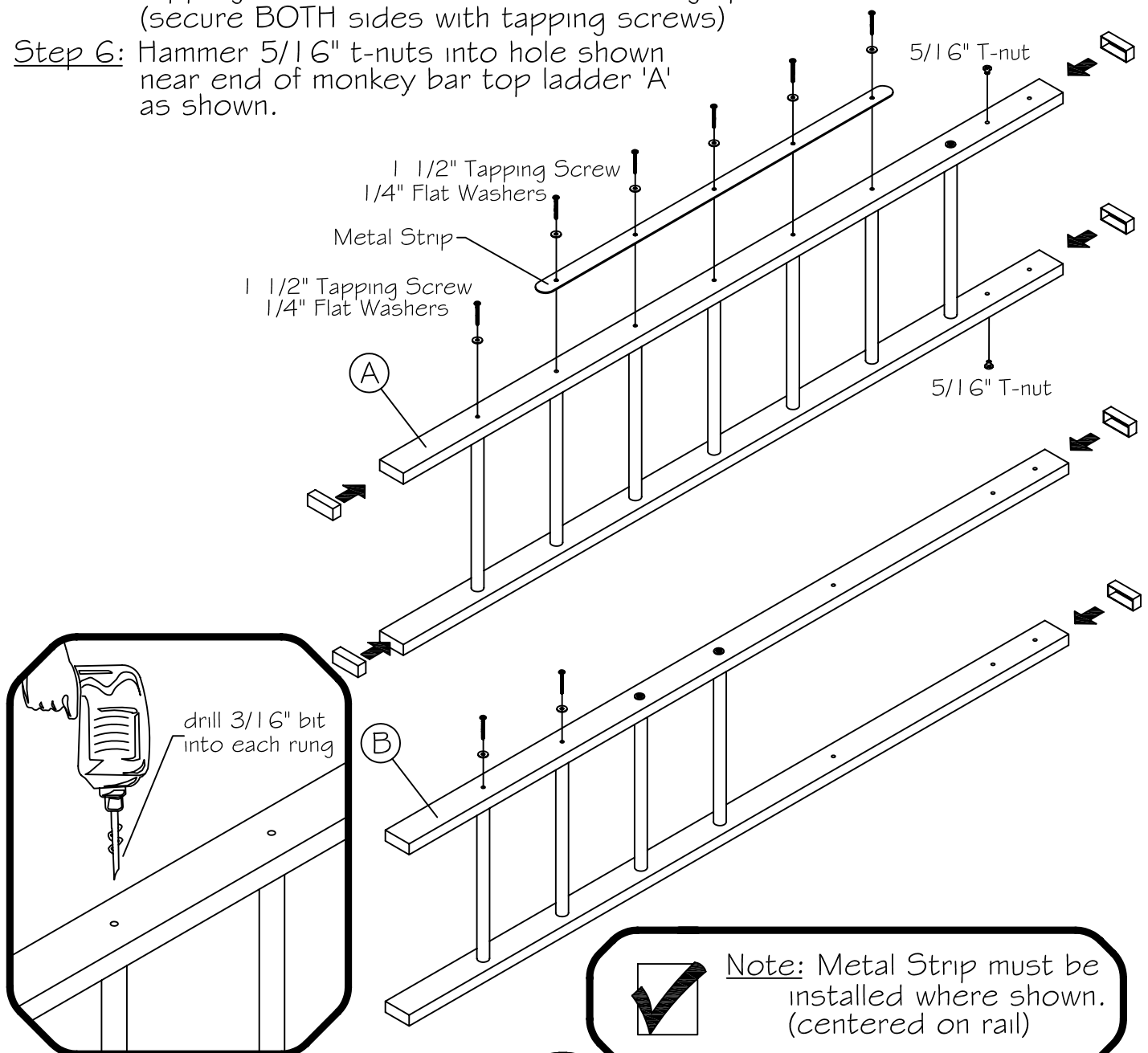


Fig. 12

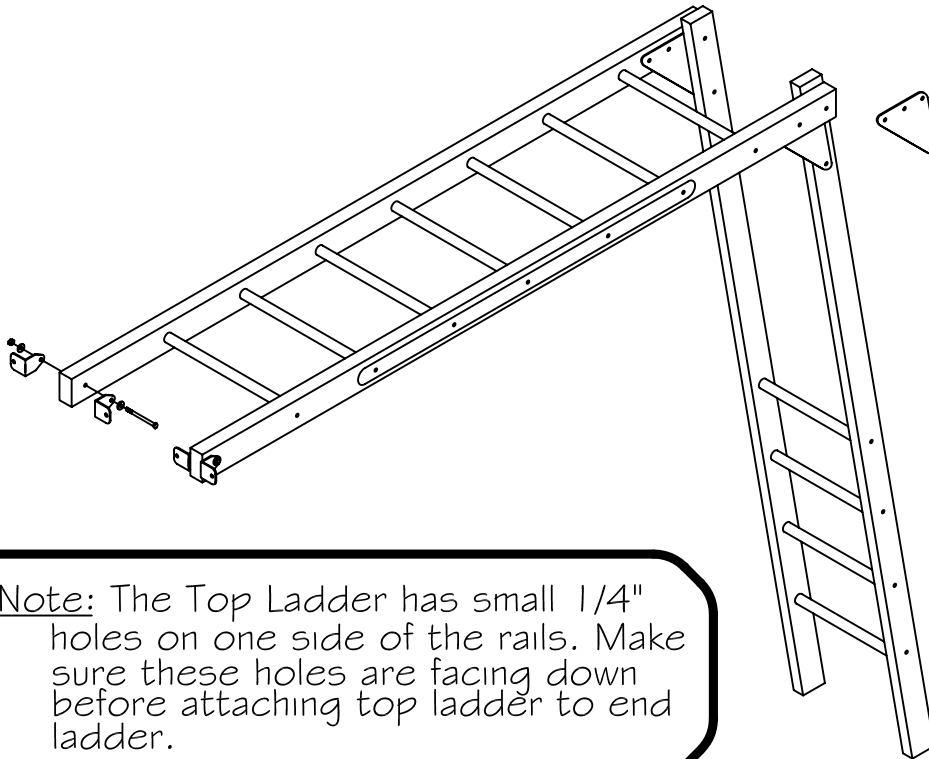
PHASE 13

MONKEY BAR ASSEMBLY

Step 1: Gather (1) Top Ladder 'A', (1) End Ladder 'B', (4) L-Brackets & (2) Metal Angle Braces.

Step 2: Attach Monkey Bar End Ladder to Monkey Bar Top Ladder with Metal Angle Braces between the two and with hardware shown. (See Fig. 13)

Step 3: Attach (2) L-brackets to the end of each Top Ladder Rail with 2" Hex Bolts and hardware shown. (See Fig. 14)



Note: The Top Ladder has small 1/4" holes on one side of the rails. Make sure these holes are facing down before attaching top ladder to end ladder.

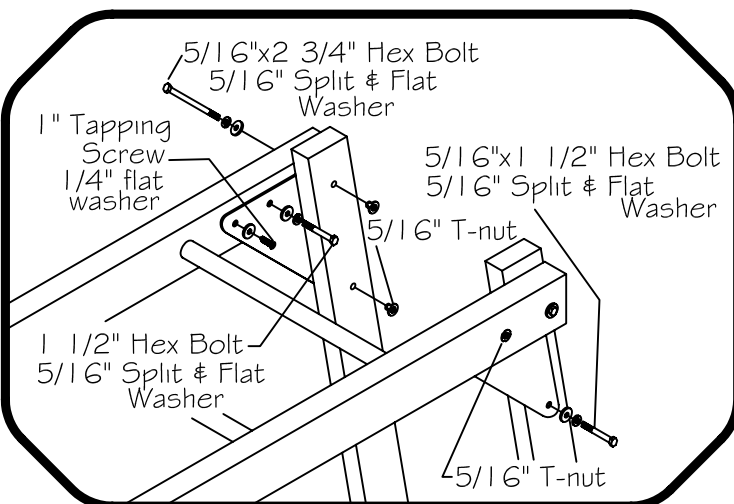


FIG. 13

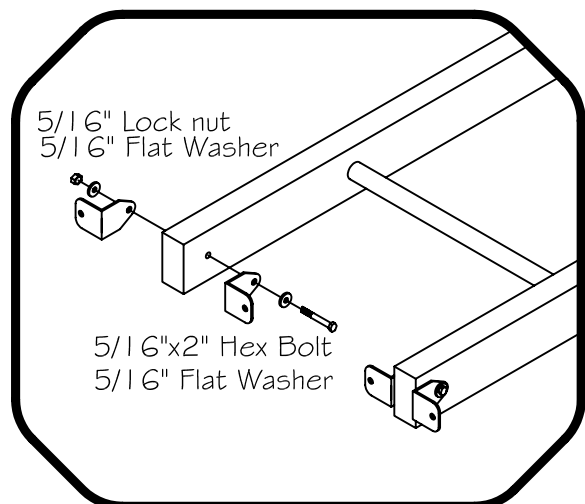


FIG. 14

PHASE 14

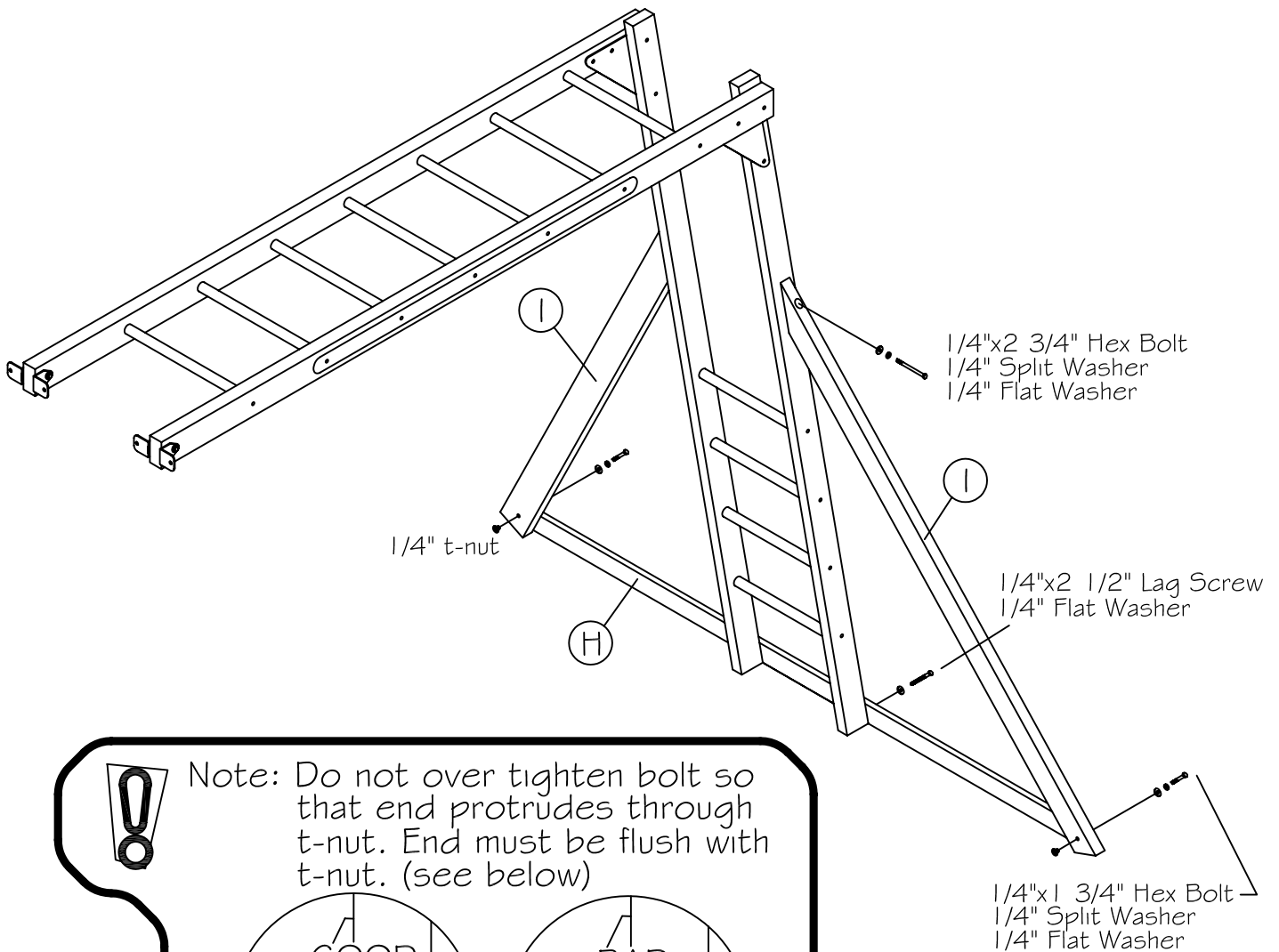
MONKEY BAR ASSEMBLY

Step 1: Gather Monkey Bar Assembly, (2) Monkey Bar Angle Brace 'I' & (1) Monkey Bar Ground Beam 'H'.

Step 2: Attach Angle Braces 'I' to Ground Beam 'H' with 1/4"x1 3/4" Hex Bolts as shown.

Step 3: Attach Angle Braces 'I' to End Ladder with 1/4"x2 3/4" Hex Bolts as shown. (see fig 15 for important note)

Step 4: Attach Ground Beam 'H' to End Ladder with 1/4"x2 1/2" Lag Screws as shown.



Note: Do not over tighten bolt so that end protrudes through t-nut. End must be flush with t-nut. (see below)

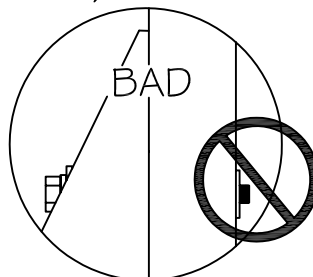
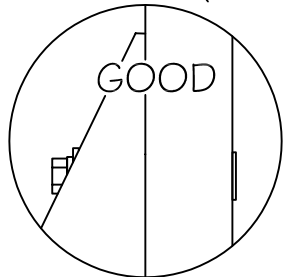


FIG. 15

PHASE 15

MONKEY BAR ATTACHMENT

Step 1: Gather Monkey Bar Assembly to preferred side. (see phase 9, step 2)

Step 2: Remove the (2) 5/16"x2 1/2" Hex Bolts on the back of the unit which attaches tarp assembly to unit. (These bolts will be used in the same hole to attach monkey bar assembly.)

Step 3: Attach monkey bar to unit by placing the removed 5/16"x2 1/2" Hex bolts through the outside L-brackets and back through the same hole on the upright and by placing a 1/4"x1" lag screw through the inside L-brackets and into the cross brace. (see fig 16 for better view of attachment from backside)

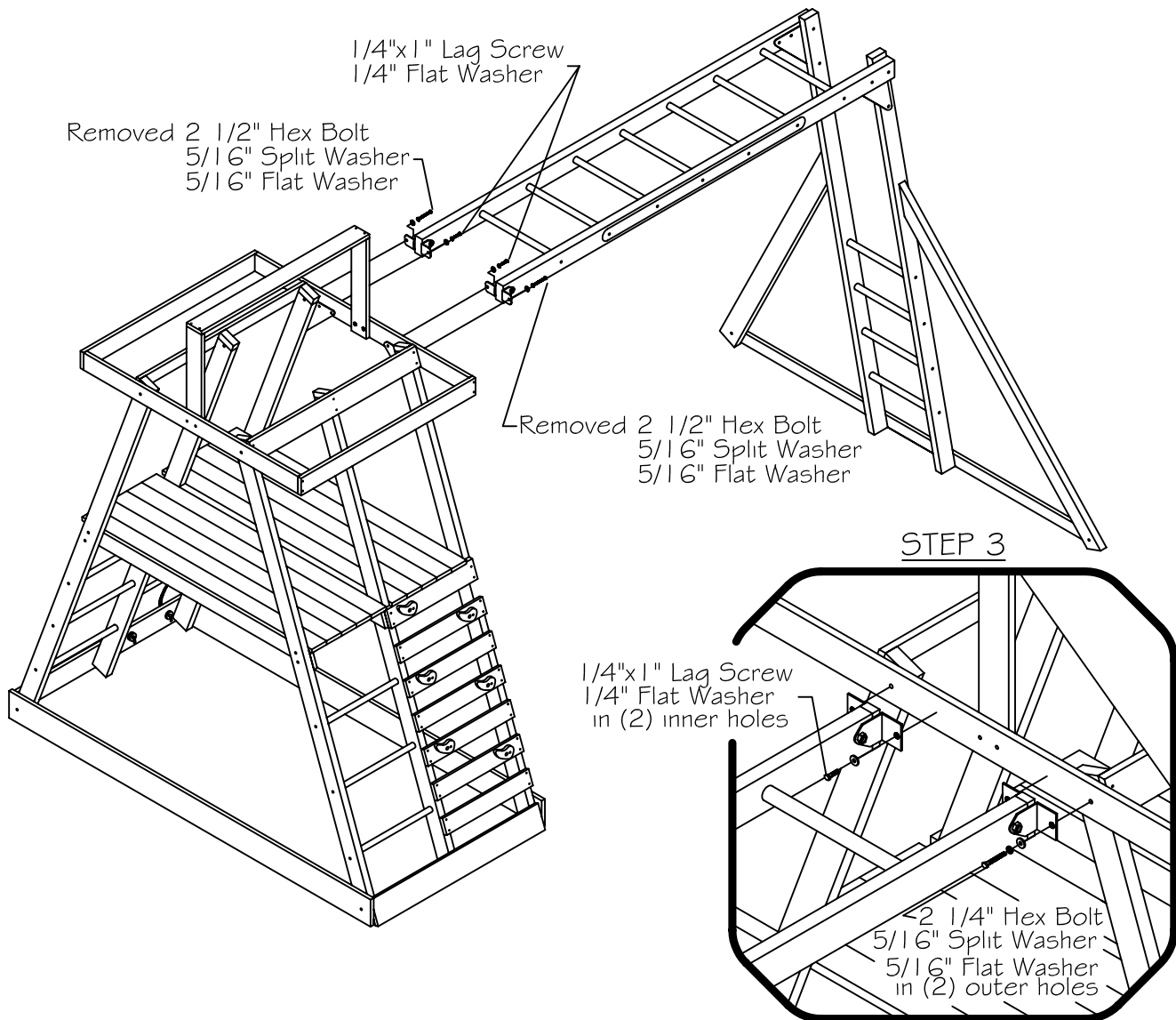


FIG. 16

PHASE 16

FORT RAIL & HANDLE ATTACHMENT

Step 1: Gather (4) Wall Slats 'M', (6) Hand Grips & Adventure Playsets ID Sticker.

Step 2: Attach (1) Hand Grip to the side of each upright with 1/4"x1 1/2" Lag Screw & 1/4" flat washer as shown. There will be (3) handles on right and left side of the fort for a total of (6).

Step 3: Attach (2) Wall Slats to the front and back of fort by placing top of slat on inside of tarp cross braces and bottom of slat on outside of floor joists and attaching with (2) 1 1/4" deck screws per place. Space slats 3 1/4" from the uprights (see Fig. 17)

Step 4: Peel backing off of the Adventure Playsets ID Sticker and place sticker on front of Tarp where shown.



Note: When attaching Hand Grips, do not use hardware that may be packaged with handles, correct attachment hardware is supplied in Fort Hdw Bag.

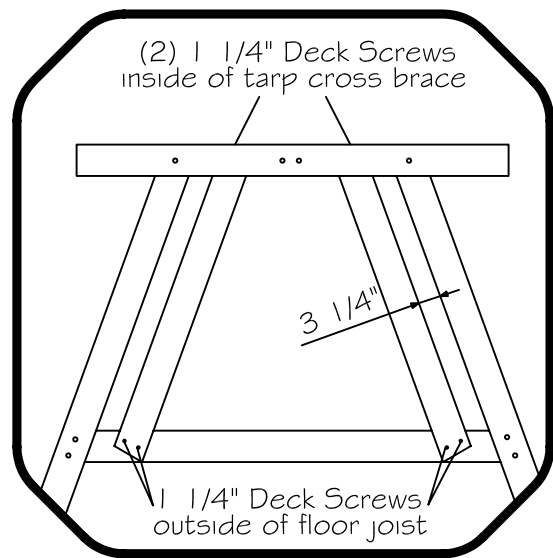
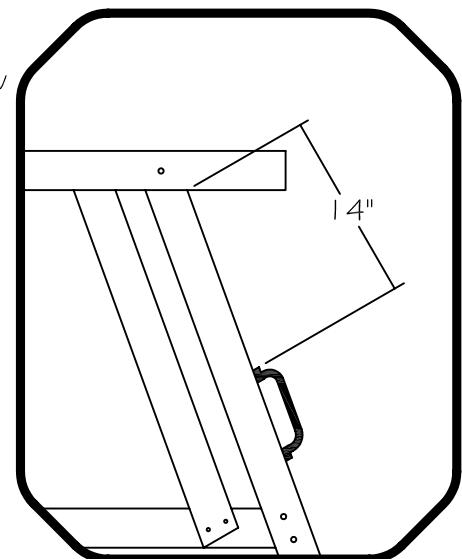
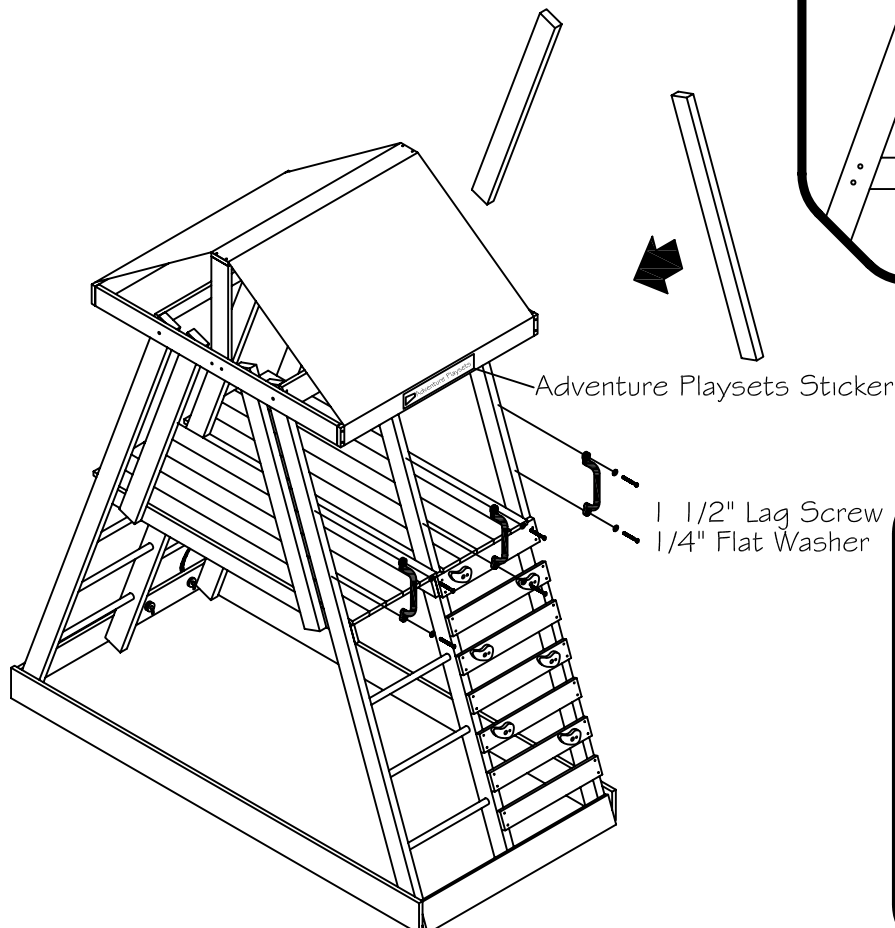


FIG. 17



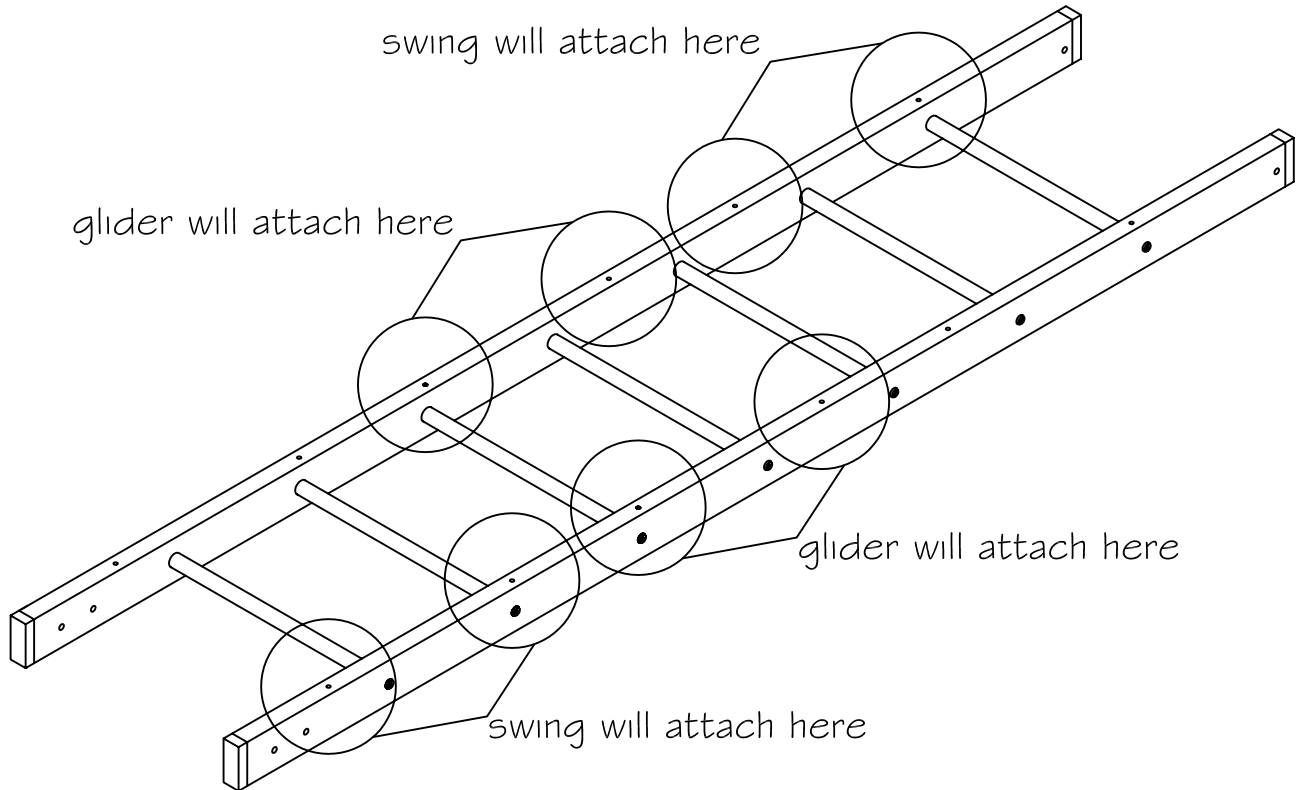
PHASE 17

SWING HANGER ATTACHMENT

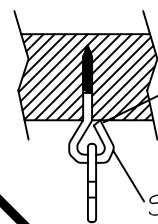
Step 1: Gather (8) Lag Screw Swing Hangers.

Step 2: Screw Lag Screw Swing Hangers into pilot holes on top ladder in pattern as shown below.

Put Swing Hangers in circled holes.



HARDWARE ILLUSTRATION: SWING HANGER



This point should touch the bottom of board.

Swing Hanger

The Lag Screw Swing Hanger must be screwed in so that the tip of the swing hanger is touching the receiving board.

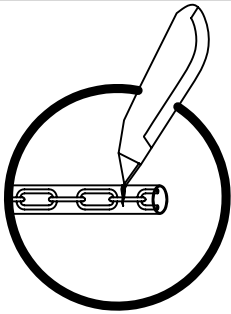
NOTE: Triangular bend on swing hanger must run parallel with board.



Note: Swing hangers must be installed according to hardware illustration above!

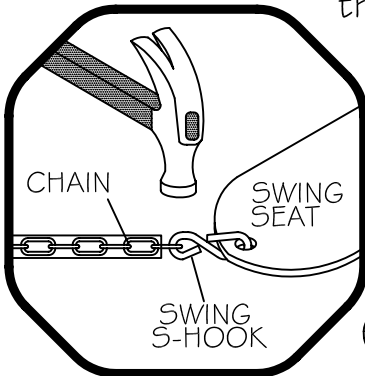
PHASE 18

SWING ASSEMBLY



Trim plastic coating on all chain for swings and glider with sissors or knife to reveal last whole link. Remove partial link and discard. Do this on both ends of each chain to help with s-hook attachment and insertion into glider arms.

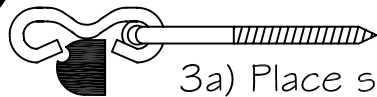
Step 1: Attach the S-hooks to the swing seats. Slide the bigger end of the S-hook into the hole located on swing seat. Close S-hook with hammer as shown in Fig. 18.



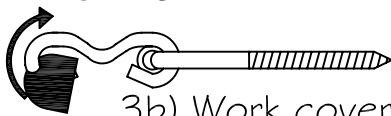
Note: The bigger opening on the S-hook will be the end that will attach to the swing seat.

Step 2: Attach 57" chain to smaller end of S-hook and close with hammer.

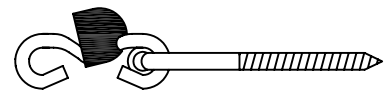
Step 3: Attach plastic swing hanger cover to swing hanger as shown below.



3a) Place swing hanger through opening of cover.



3b) Work cover around the curves of the swing hanger



3c) Loop chain over swing hanger, flip cover over and place over opening.

Step 4: Attach opposite end of chain to swing hangers.

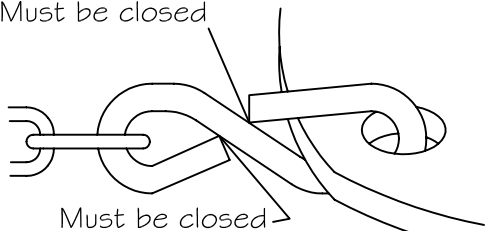
Step 5: You may need to adjust the height of the chain to achieve the minimum ground clearance that follows.

U.S. = 8" clearance

European = 350mm clearance

HARDWARE ILLUSTRATION:
'S'-HOOK

Must be closed



Must be closed

NOTE: FOR YOUR CHILD'S SAFETY, MAKE SURE THAT THE HOOKS ARE COMPLETELY CLOSED AND THE CHAINS CANNOT PULL OFF THE HOOKS.

INSTALLATION TIP

Strike here

Strike here

When closing S-Hook, strike hook on outermost edge. Its not how hard you strike the hook, but consistent hammering heats the metal and closes the hook.

PHASE 19

GLIDER ASSEMBLY

Step 1: Gather (2) Glider Arms, (1) Glider Seat & (2) Glider Chains

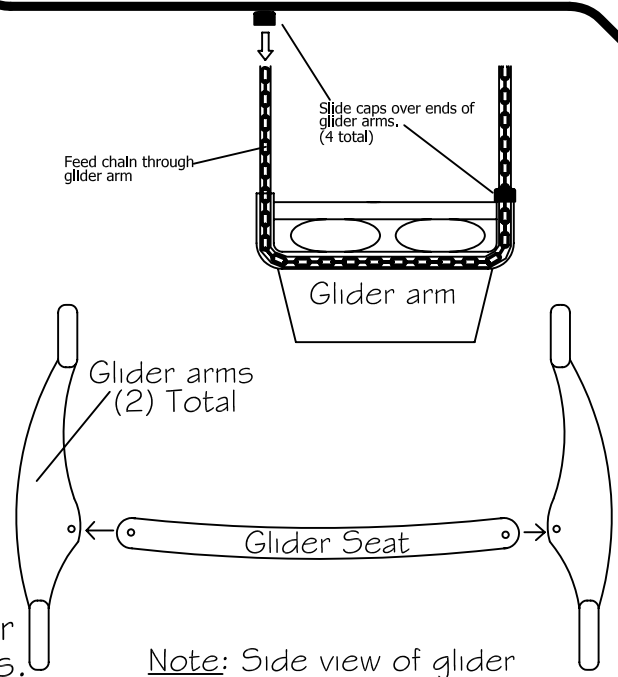
Step 2: Feed one chain through each glider arm as shown to allow attachment to swing hanger.

Step 3: Next, slide plastic caps over ends of glider chains to cover glider arm holes.

Step 4: Insert glider seat into glider arms & attach w/ (2) 6" hex bolts, (4) 1/4" flat washers & (2) 5/16" lock nuts.

Step 5: After assembly is complete, attach glider to swing hangers located on monkey bar. (see Phase 17)

Note: You must adjust the height of the glider with the chain so that the glider meets the following ground clearances.
U.S. - 8" Clearance
European - 400mm Clearance



PHASE 20

SLIDE ATTACHMENT

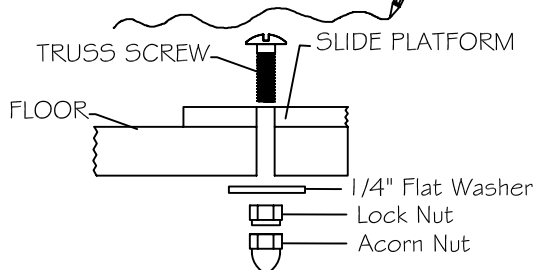
Step 1: Center wave slide in opening opposite the monkey bar.

Step 2: Drill a 5/16" hole through the indentions on the slide and through the fort floor.

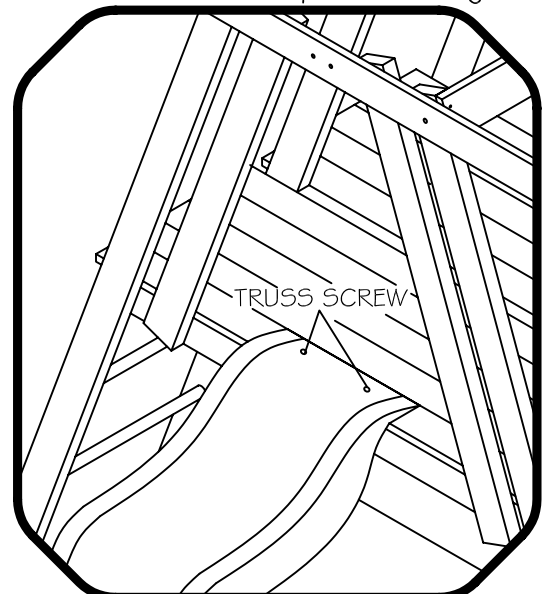
Step 3: Insert 1/4"x1 1/2" Machine truss screws through holes and attach 1/4" lock nuts on end and tighten.

Step 4: If Screw protrudes past lock nut, attach acorn nut to protruding end.

HARDWARE ILLUSTRATION: TRUSS HEAD SCREW



Place Truss Screw in drilled hole. Tap in with hammer. Place lock nut on end of screw. Hand tighten to make sure nut is on screw. Secure with screwdriver.
If Screw protrudes past lock nut, attach acorn nut to protruding end.
DO NOT OVER TIGHTEN!



PHASE 21

ANCHORING INSTRUCTIONS

Step 1: Drive Stakes into ground where shown below and attach with 1" tapping screw and flat washer as shown in Fig. 19.

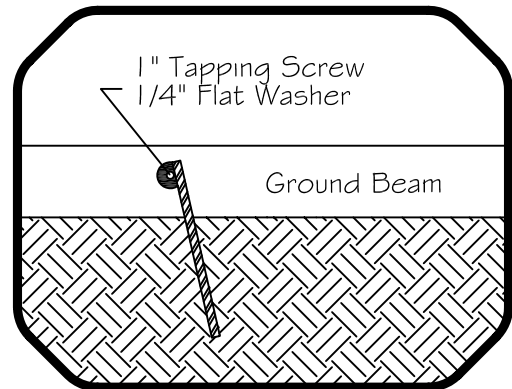
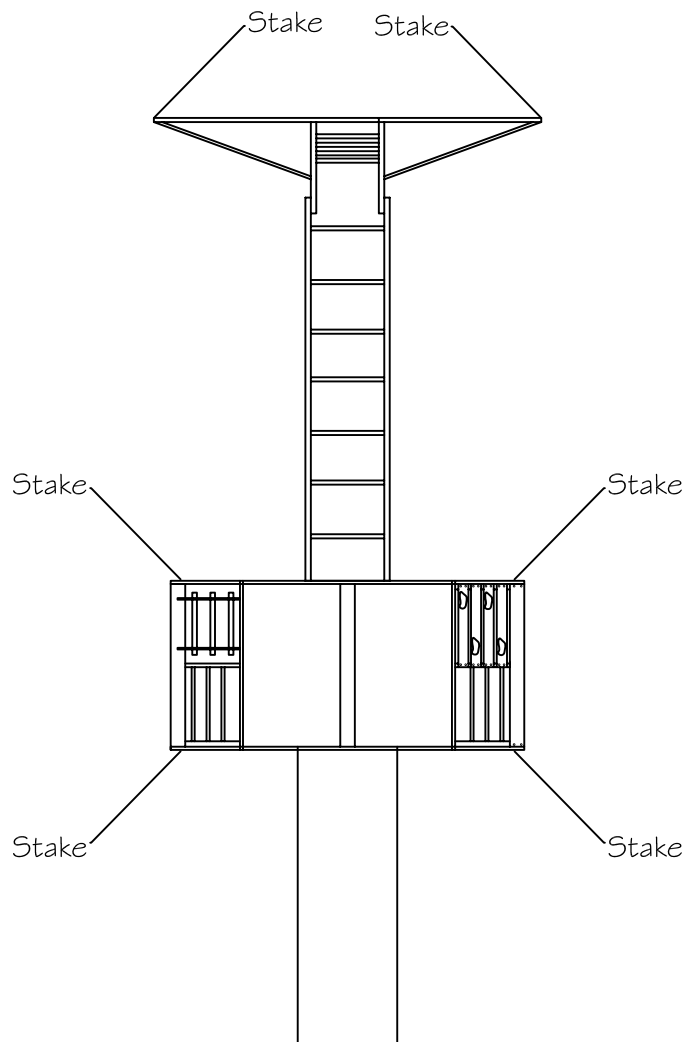


FIG. 19



Note: Failure to use stakes can void warranty & cause injury.

Final Step: Double check and make sure every bolt, screw and nut is tight, every board is secure and enjoy.

Frequently Asked Questions

Q: What size of play area do you recommend around the playset so my child may play safe??

A: We recommend at least a six-foot play perimeter around the playset.

Q: My swing set seems to sway or rock too much. What is wrong?

A: Rocking is caused by uneven ground or obstructions such as rocks, roots, etc. under the ground rails. These obstructions should be removed and the ground underneath leveled to prevent rocking. If the fort itself is moving, it is usually caused because the fort is not staked down. Staking is required and will stop most of the movement.

Q: The end ladder is not straight up and down. What is wrong?

A: Nothing is wrong. The end ladder does not form a 90° angle. It has an angle to it.

Q: The S-hooks for my swings won't close. What is wrong?

A: The S-hook must be on a solid foundation when trying to close. It takes quite a few strokes, but the S-hook will close.

Q: The top ladder does not have holes for the swing hanger lags. Why not?

A: The top ladder is probably installed upside-down.

Q: My wood appears to be cracking. Is that a problem?

A: No, expansion and contraction of wood due to weather changes will cause slight cracking (technically called checking) and distortion. These are natural characteristics of wood and do not affect the structural integrity of the playset.

Q: My 2x4 boards do not measure 2"x4". Why not?

A: It has been common practice in the U.S. to use the rough-cut dimension from a sawmill to describe the width and height of a particular piece of lumber. Many retailers, designers, contractors and manufacturers utilize this description with a common and accepted knowledge that the actual size will vary from this description. Our sets are designed using the actual dimension. This ensures the sets will be assembled properly and be safe for the recommended use.

Q: How often should I re-stain my playset and what should I use?

A: The playset should be checked at least once a year depending on the weather. Lightly sand any rough areas and re-stain the set with a waterborne transparent stain.

Limited Warranty

Adventure Playsets Inc. insures to the original owner of our product, that the components of our set are free from defect in materials and will be warranted for one year from the date of purchase. In addition, all wooden components will be warranted against rot or insect damage for 12 Years to the original owner. All non-wood components will carry a one-year warranty only.

All defective parts that are discovered and reported in the first thirty days after purchase will be replaced at no charge to the registered customer. After thirty days of purchase shipping and handling charges for replacement warranty parts will be passed on to the consumer.

All returned goods will be accessed by our customer service department. We will not accept any goods without an authorization code. Our customer service department will give out all codes. Failure to supply authorization code with shipment will void all said warranty. Our customer service department can be reached at 1-800-856-4445.

This Limited Warranty does not cover the following:

- ❑ The cost of labor required to re-install or disassemble the defective component.
- ❑ The cost of air freight
- ❑ The cost of freight after the initial 30 days from purchase.
- ❑ Cosmetic defects that do not affect the structural integrity of the play center.
- ❑ Any abnormal conditions such as vandalism, improper installation, misuse or abuse, or improper maintenance.
- ❑ Damage done by nature such as wind, lightning, severe weather, etc...
- ❑ Natural defects of wood such as warping checking or any other physical properties of wood that do not present a hazard.

Adventure Playsets products have been carefully designed to insure your child's safety. Any modifications to your playsystem could result in serious injury as well as void all warranties.

Our playsets are designed for Residential use only, for children between the ages of 3 and 10, for a single-family dwelling. Commercial use such as nurseries, parks or schools, voids all warranties and liabilities.

Warranty claim procedure

If you are confident that your playsystem has been installed and maintained properly, and you have a warranty claim, proceed with the following steps:

1. We will need copy of your proof of purchase (Vendor sales receipt only.)
2. We require a brief written description of the warranty issue.
3. Photos of warranted parts and of the entire play system.

If **any** of the above steps are not completed, there may be delays in the completion of your claim, or possibly warranty cancellation.

Mail information to:

Adventure Playsets
14201 I-27
Amarillo, Texas
79119

or email at

custservice@adventureplaysets.com

Our customer service department will review the claim and make contact with the customer by mail or by phone. The customer will only pay for shipping and handling to and from factory if warranty is approved.

1-800-856-4445

Service department hours Monday thru Friday 9am to 5pm

Saturday 9am to 2pm

Central standard time

Customer Registration Card

Name: _____

Address: _____

City: _____ State: _____ Zip: _____

Home Phone _____

Date of Purchase _____

Vendor Name _____

City: _____ State: _____ Zip: _____

Unit Model: 1-AP012 - The Bellevue

Please check the boxes below:

How old are you?

18-30

31-43

44-56

Older than 56

How would you rate the quality of our product?

Above Average

Average

Fair

Poor

How would you rate the ease of assembly of our product?

Above Average

Average

Fair

Poor

How would you rate our instructions?

Above Average

Average

Fair

Poor

Would you recommend our product to friends & family?

Yes

No

How old are your children?

3-4

5-6

7-8

9-10

Where did you hear about us?

Friend

Store Display

Advertisement

Internet

Comments: _____

Customer Registration Card

**Do not forget to send in your registration card to the factory.
This card will validate your time of purchase for warranty items.**

Fold here

**Place
stamp
here**

**Adventure Playsets
14201 I-27
Amarillo Texas, 79119**